

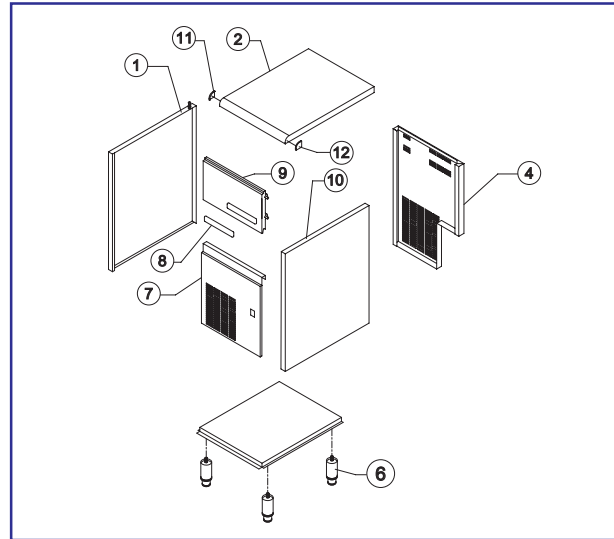
SL 180

LIST OF THE EXPLODED VIEWS

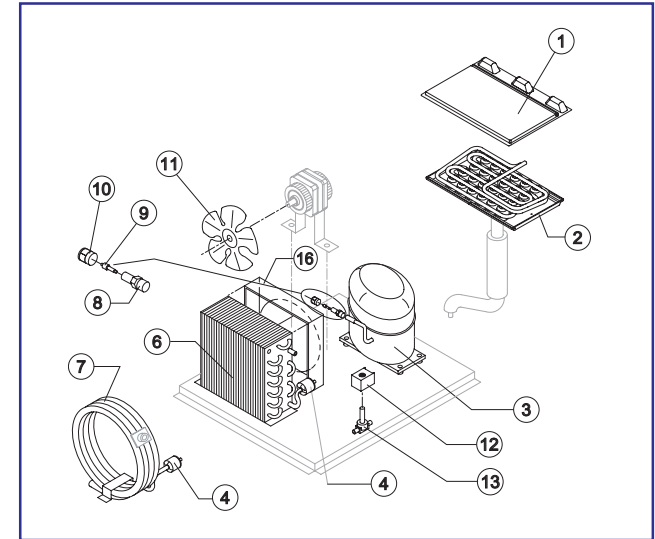
Rev. 9 - 20/06/2011



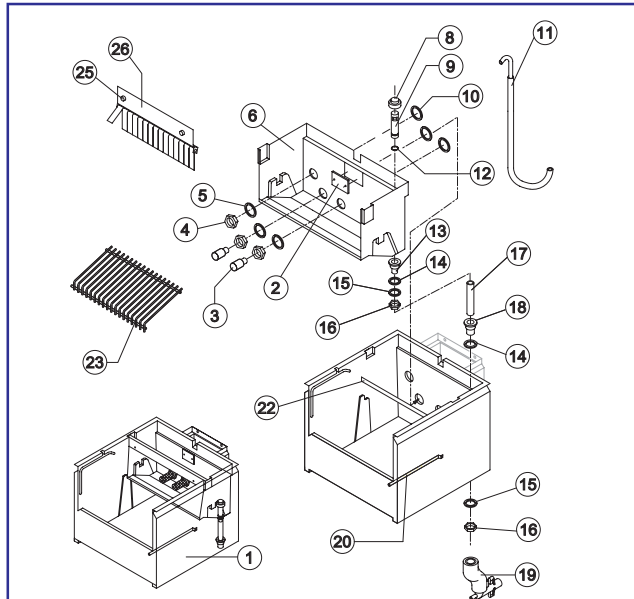
SHELL ASSY



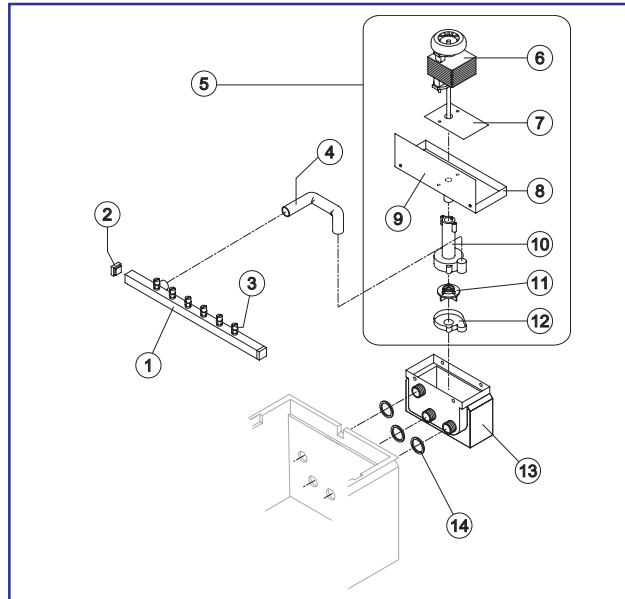
COOLING SYSTEM



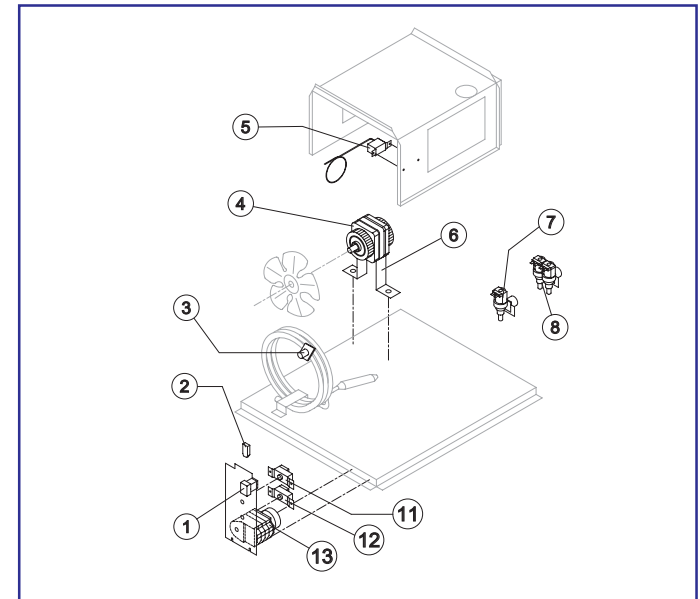
HYDRAULIC CIRCUIT



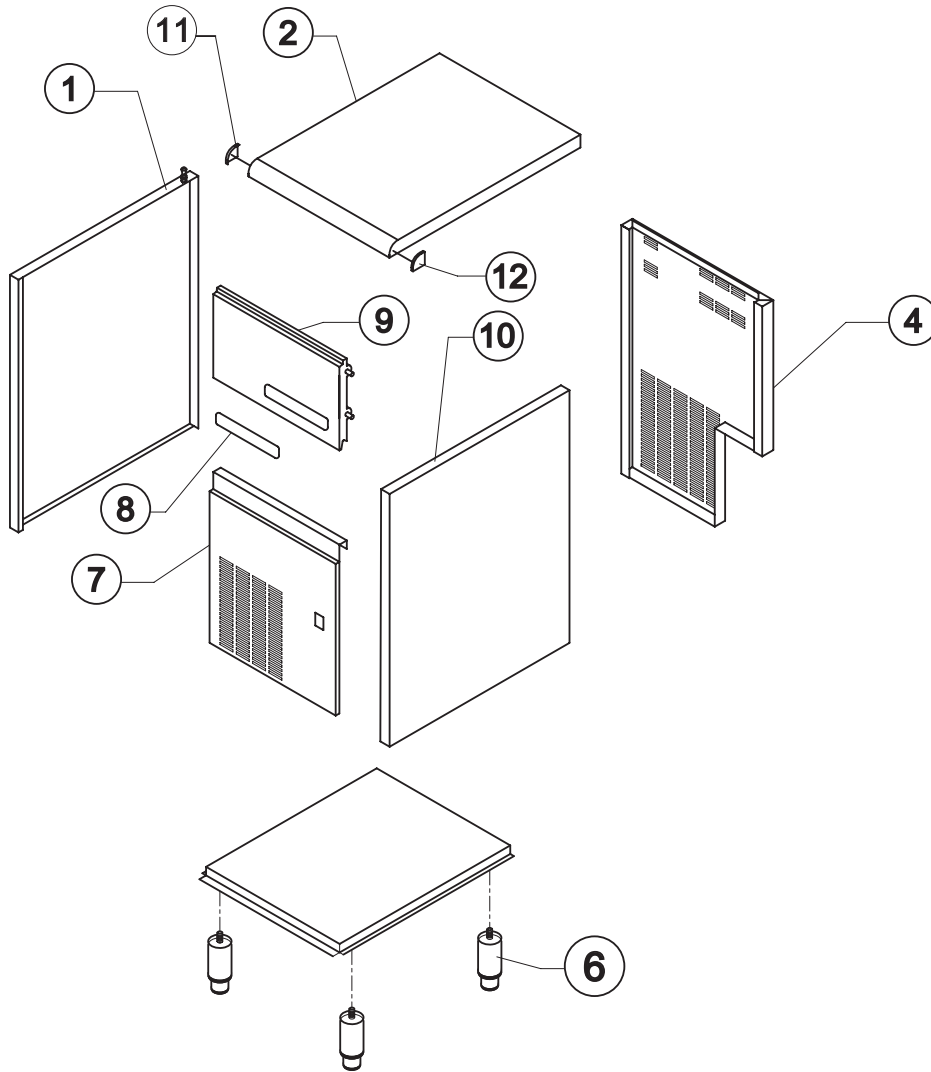
SPRAYER PUMP



ELECTRIC PARTS

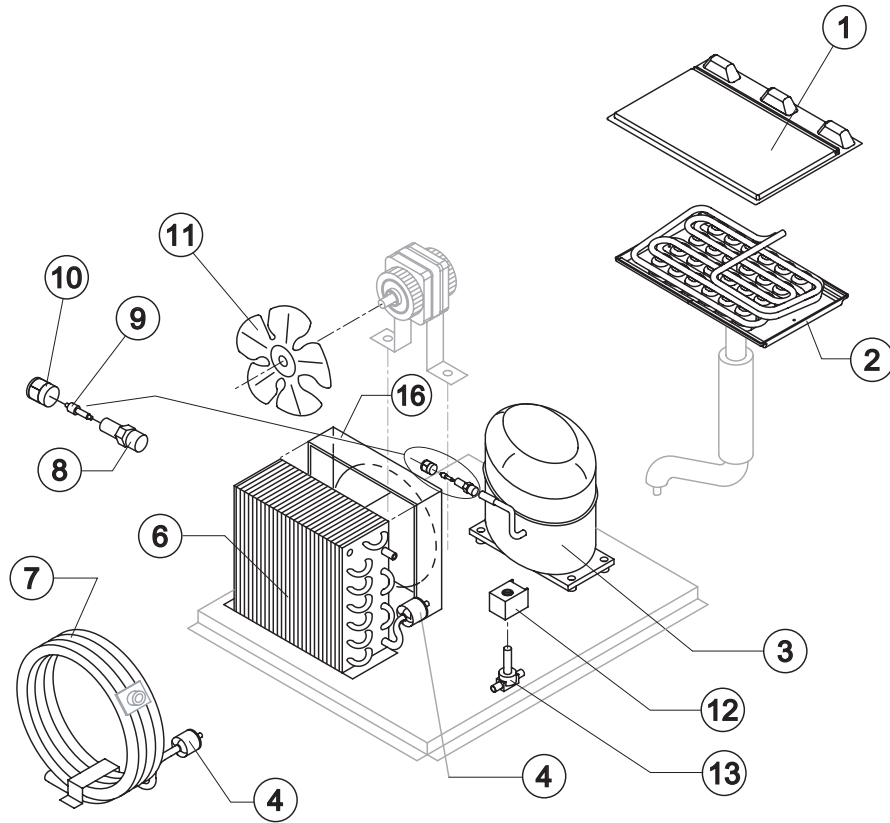


Rev. 9 - 20/06/2011



Ref.	Spare Description	Code
1	Left Side Panel Assembly	NC22761
2	Top Assembly	NC22771GR
4	Grey Rear Panel	N21254
6	Foot Adjustable	N20613
7	Front Panel	N22715
8	Resinate Logo	N24468
9	Door Assembly	NC10362
10	Right Side Panel Assembly	NC22760
11	Left Top Protection	N10323GR
12	Right Top Protection	N10324GR

Rev. 9 - 20/06/2011



Common Parts

Ref.	Spare Description		Code
1	Evaporator Cover Panel	Current Version	N10514
1	Evaporator Cover Panel	Till s/n. 357549	N10039
2	Evaporator Assy	See Table	-
3	Compressor	See Table	-
4*	Molecular Drier		N14089
8	Vacuum-Charge Valve Body		N14007
9*	Vacuum-Charge Valve Device		N14005
10*	Vacuum-Charge Valve Plug		N14006
12*	Hot Gas Valve Coil	See Table	-
13*	Hot Gas Valve Body		N20410

Parts for Air-Cooled Version Only

Ref.	Spare Description	Code
6	Air Condenser	N20264
11	Sucking Fan	N20031
16	Air Condenser Conveyor	N10163

Parts for Water-Cooled Version Only

Ref.	Spare Description	Code
7	Water Condenser	N14034
11	SuckingFan	N10213

Ref. 2 - Evaporator

Kind of Cube	Code
17 g. (Standard)	ND10047
32 g.	ND10090
14 g.	ND10418
41 g.	ND10480

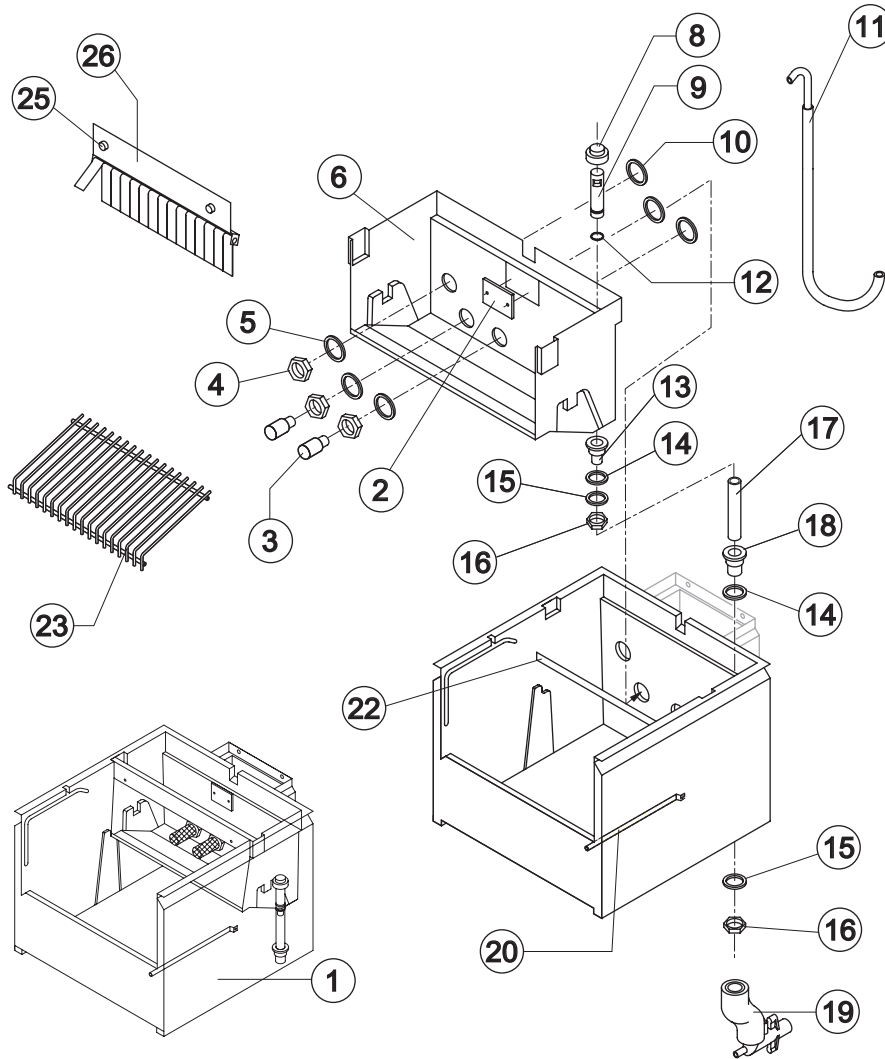
Ref. 3 - Compressor

Tension	Code
220/240V 50 Hz	N23875
220/230V 60 Hz	N23504A
110/115V 60 Hz	N23552

Ref. 12* - Hot Gas Valve Coil

Tension	Code
220/240V 50 Hz	N23091
220/230V 60 Hz	N23091
110/115V 60 Hz	N23256

Rev. 9 - 20/06/2011



Common Parts

Ref.	Spare Description	Code
1	Complete Basin Assembly	NC28211
2	Slide Keep Plate	Till s/n. 227791 N10009
3*	Pump Suction Filter	N20005
4	Nut for Basin Connections	N10159
5	Polyethylene Seal for Pump Basin	N13070
6	Inner Basin	N10437
8*	Overflow Cap	N10305
9*	Overflow Pipe	N10133
10	Silicone Seal for Pump Basin	N13069
11*	Water Supply Pipe to the Evaporator	NC13125
12*	OR Gasket for Overflow Pipe	N20233
13*	Overflow Pipe Nipple	N10471
14	Silicone Gasket	N13006
15	Semirigid Polyethylene Gasket	N13007
16	Bin Discharge Nut	N10096
17	Overflow Pipe	N13109
18	Water Outlet Nipple	N10472
20	Bulbe-holder Pipe	Current Version N20521
20	Bulbe-holder Pipe	Till s/n. 259175 N20520
22	Inner Basin Back	N22052
23	Ice Cubes Slide	See Table -
25	Special Screw Inox	N20009
26	Flags Support Assy	NC22059

Parts for Air-Cooled Version Only

Ref.	Spare Description	Code
19	Discharges Manifold	NC10366

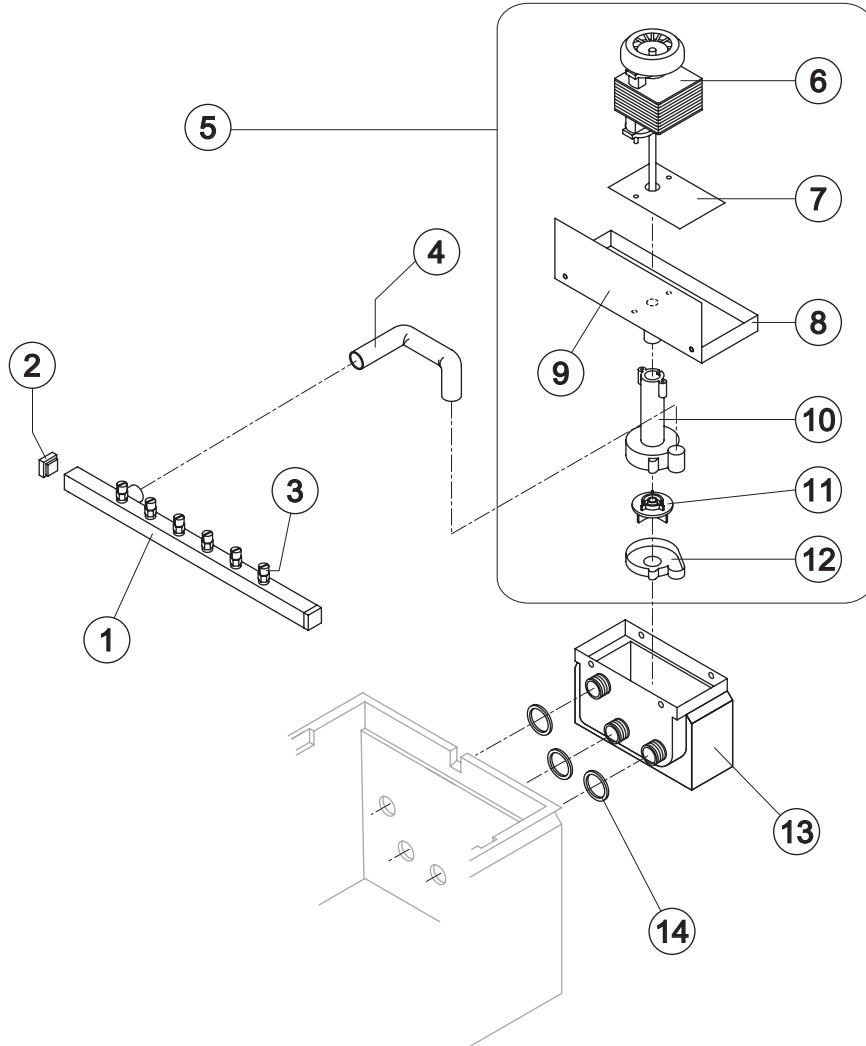
Parts for Water-Cooled Version Only

Ref.	Spare Description	Code
19	Discharges Manifold	NC10367

Ref. 23 - Ice Cubes Slide

Kind of Cube	Code
17 g. (Standard)	ND12017
32 g.	ND12031
14 g.	ND12039
41 g.	ND12071

Rev. 9 - 20/06/2011



Ref.	Spare Description	Code
1*	Sprayers Bar Assembly	See Table
2	Sprayers Bar Plug	N10012
3	Sprayer	ND20002
4	Pump Delivery Pipe	N13068
5*	Pump Assembly	See Table
6	Pump Motor	See Table
7	Heat Dissipator	N22430
8	Pump Motor Holder	N10161
9	Basin/Pump Fender Case	N22763
10	Pump Body	N10065
11	Pump Impeller	N10066
12	Diffusor	N10067
13	Insulated Pump Basin	NC11048
14	Silicone Seal for Pump Basin	N13069

Ref. 1* - Sprayers Bar Assembly

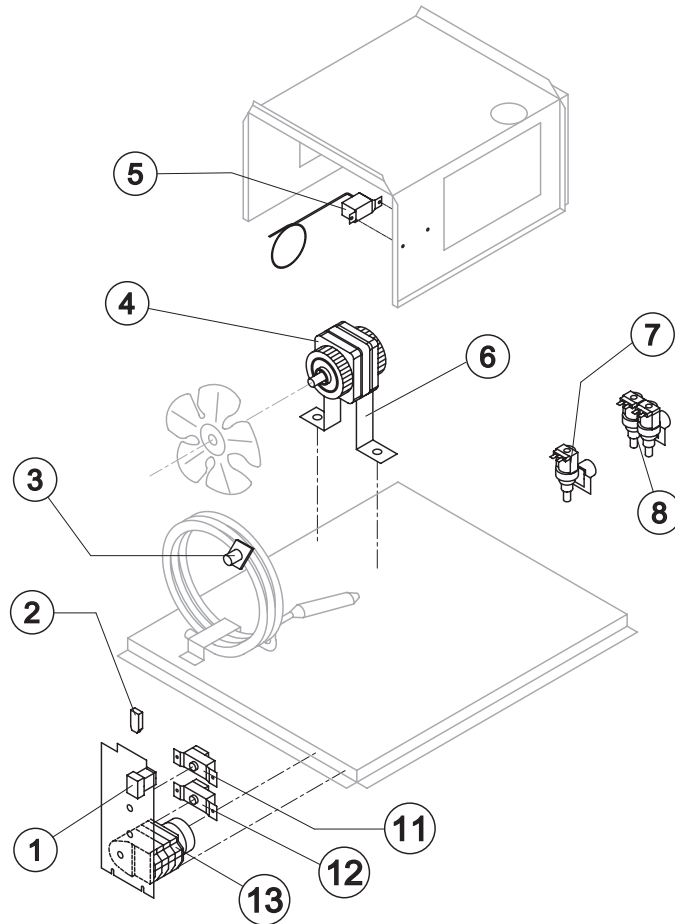
Kind of Cube	Code
17 g. (Standard)	NC20575
32 g.	NC20583
14 g.	NC20578
41 g.	NC20804

Ref. 5* - Pump Assembly

Tension	Code
220/240V 50 Hz	NC23608
220/230V 60 Hz	NC23612
110/115V 60 Hz	NC23610

Ref. 6 - Pump Motor

Tension	Code
220/240V 50 Hz	N23600
220/230V 60 Hz	N23601
110/115V 60 Hz	N23602



Common Parts

Ref.	Spare Description	Code
1*	Green Light Switch (On-Off)	N23327
2	Anti Radio Interference Filter	Only 220V 50 Hz NC23458
4*	Fan Motor	See Table -
5*	Condenser Pressure Switch	N23175
11*	Bin Thermostat	NR23005
12*	Evaporator Thermostat	NR23591
13*	Timer	See Table -

Parts for Air-Cooled Version Only

Ref.	Spare Description	Code
6	Stirrup h.88	N23427
7*	1 Way- Water Inlet Valve	See Table -

Parts for Water-Cooled Version Only

Ref.	Spare Description	Code
3*	Safety Thermostat	NC23114
6	Stirrup h.72	N23124
8*	2 Ways- Water Inlet Valve	See Table -

Ref. 4* - Fan Motor

Tension	Air	Water
220/240V 50 Hz	N23067	N23029
220/230V 60 Hz	N23681	N23029
110/115V 60 Hz	N23621	N23683

Rif. 7* - 1 Way- Water Inlet Valve

Tension	17g/14g Cube	32g Cube	41g Cube
220/240V 50 Hz	N23001	N23001	N23220
220/230V 60 Hz	N23001	N23220	N23220
110/115V 60 Hz	N23260	N23281	N23281

Rif. 8* - 2 Ways- Water Inlet Valve

Tension	17g/14g Cube	32g Cube	41g Cube
220/240V 50 Hz	N23010	N23010	N23781
220/230V 60 Hz	N23010	N23781	N23781
110/115V 60 Hz	N23261	N23758	N23758

Rif. 13* - Timer

Tension	17 g Cube	32 g Cube	14 g Cube	41 g Cube
220/240V 50 Hz	N23222	N23248	N23247	N23780
220/230V 60 Hz	N23248	N23780	N23247	N23780
110/115V 60 Hz	N23259	N23786	N23258	N23786