

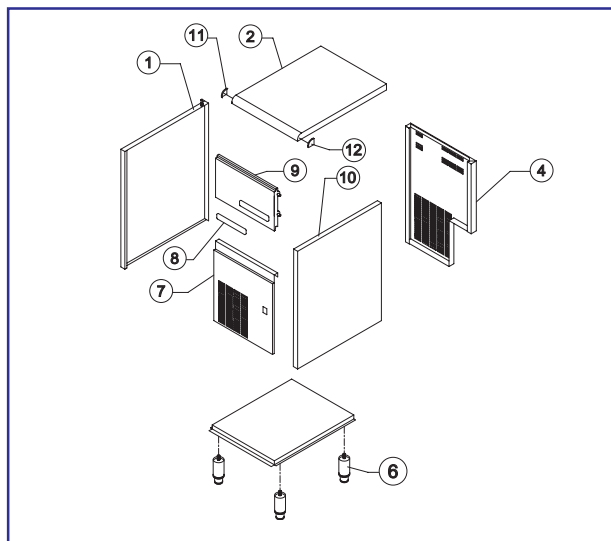
# SL 90

# LIST OF THE EXPLODED VIEWS

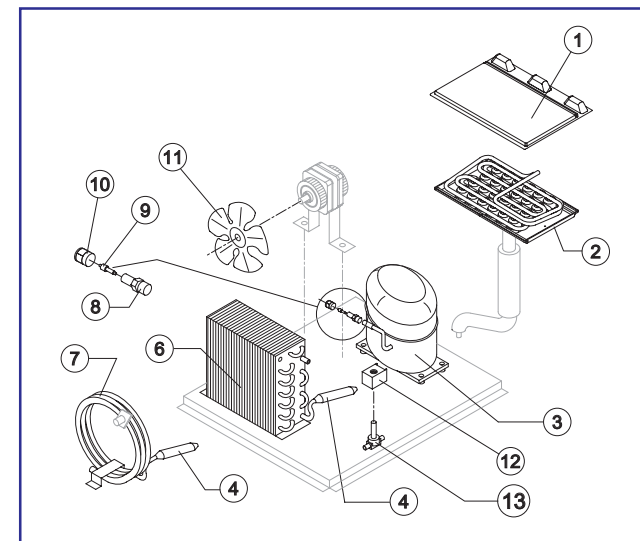
Rev. 8 - 17/06/2011



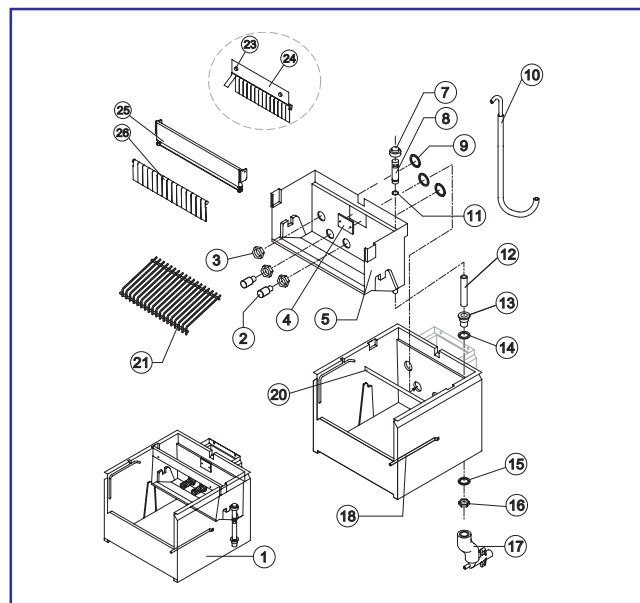
### SHELL ASSY



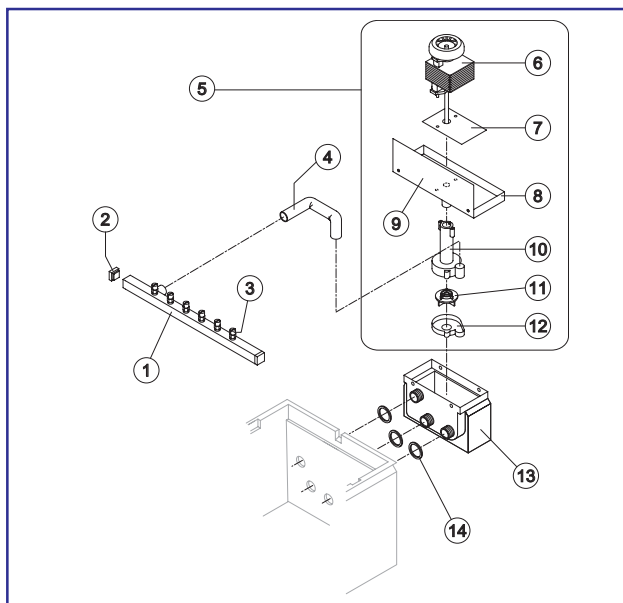
### COOLING SYSTEM



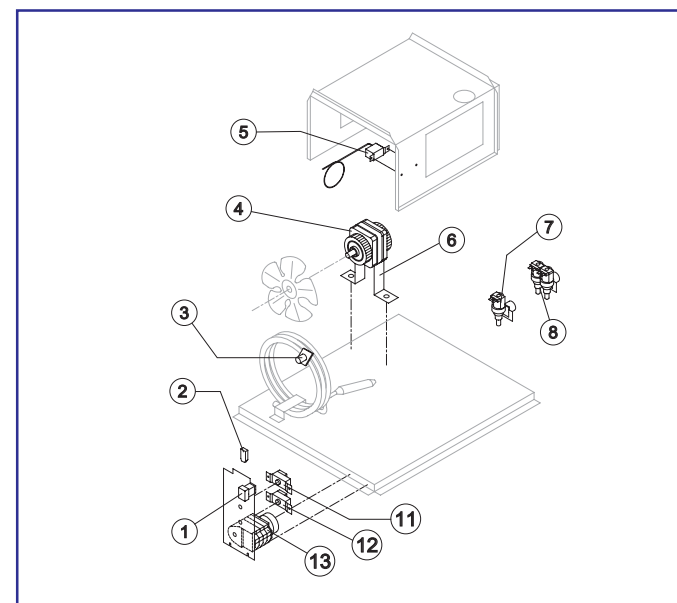
### HYDRAULIC CIRCUIT



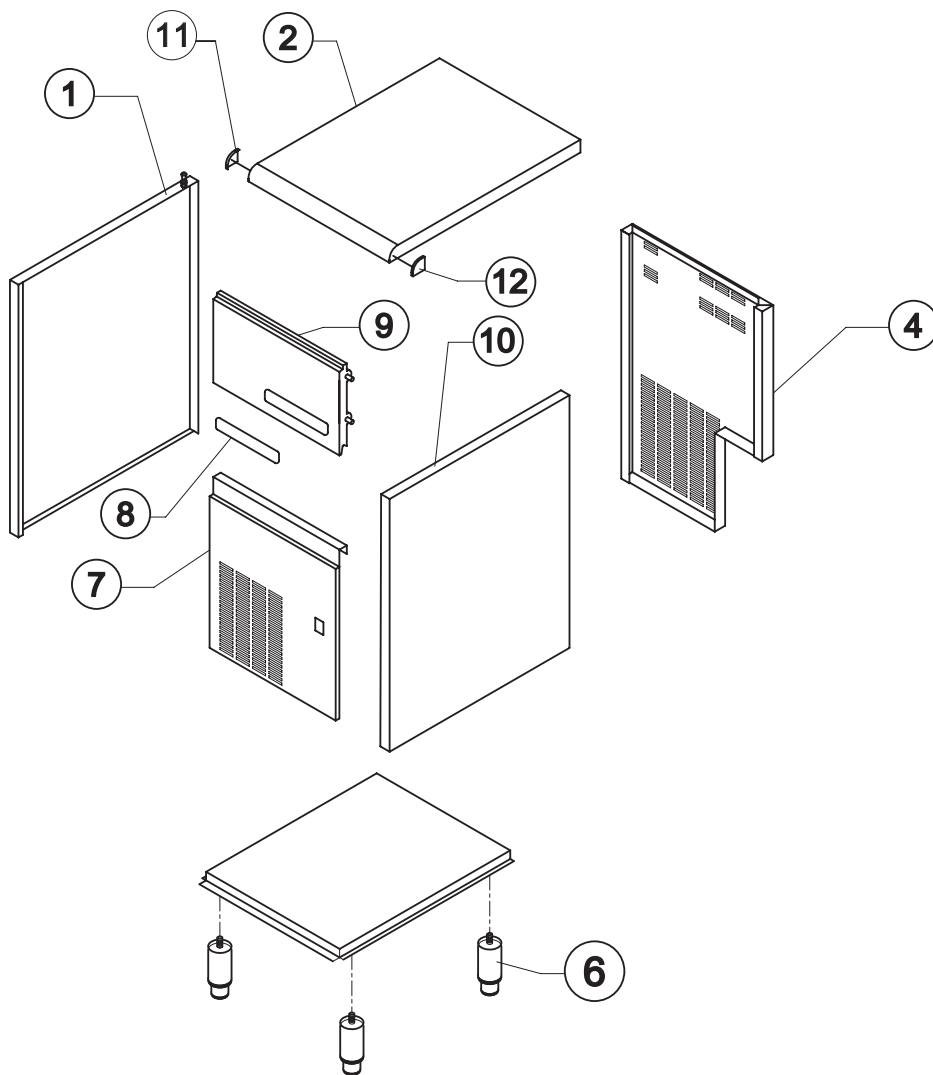
### SPRAYER PUMP



### ELECTRIC PARTS

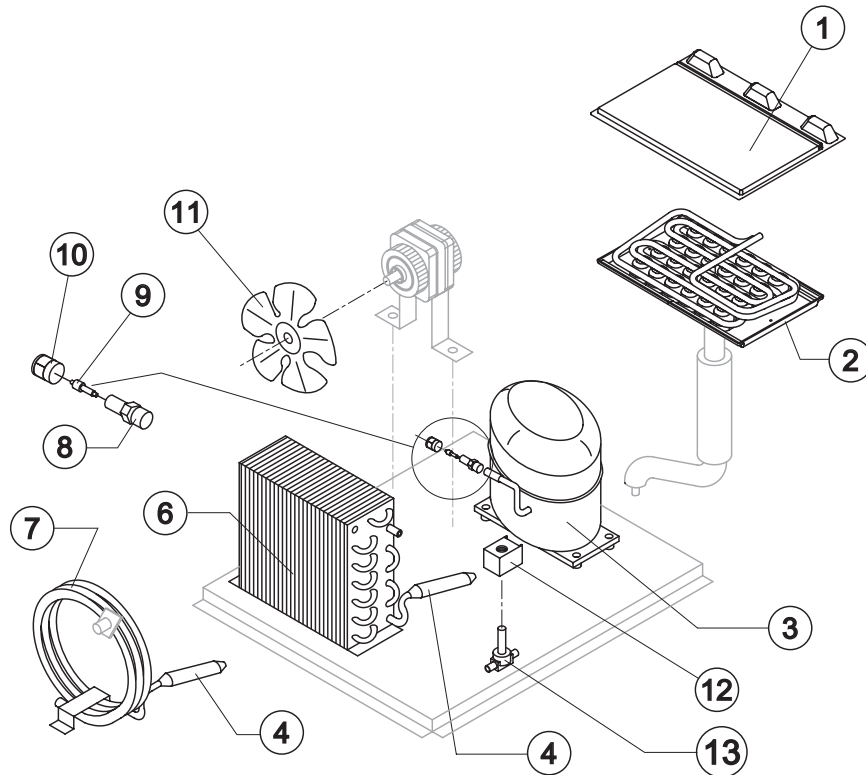


Rev. 8 - 17/06/2011



Ref.	Spare Description	Code
1	Left Side Panel Assembly	NC22759
2	Top Assembly	NC22770GR
4	Grey Rear Panel	N21250
6	Foot Adjustable	N20613
7	Front Panel	N22718
8	Resinate Logo	N24468
9	Door Assembly	NC10360
10	Right Side Panel Assembly	NC22758
11	Left Top Protection	N10323GR
12	Right Top Protection	N10324GR

Rev. 8 - 17/06/2011



### Common Parts

Ref.	Spare Description		Code
1	Evaporator Cover Panel	Current Version	N10513
1	Evaporator Cover Panel	Till s/n. 357010	N10023
2	Evaporator Assy	See Table	-
3	Compressor	See Table	-
4*	Molecular Drier		N14009
8	Vacuum-Charge Valve Body		N14007
9*	Vacuum-Charge Valve Device		N14005
10*	Vacuum-Charge Valve Plug		N14006
12*	Hot Gas Valve Coil	See Table	-
13*	Hot Gas Valve Body		N20410

### Parts for Air-Cooled Version Only

Ref.	Spare Description	Code
6	Air Condenser	N20019
11	Sucking Fan	N20096

### Parts for Water-Cooled Version Only

Ref.	Spare Description	Code
7	Water Condenser	N14014
11	Sucking Fan	N10213

### Ref. 2 - Evaporator

Kind of Cube	Code
17 g. (Standard)	ND10046
32 g.	ND10089
14 g.	ND10417
41 g.	ND10465

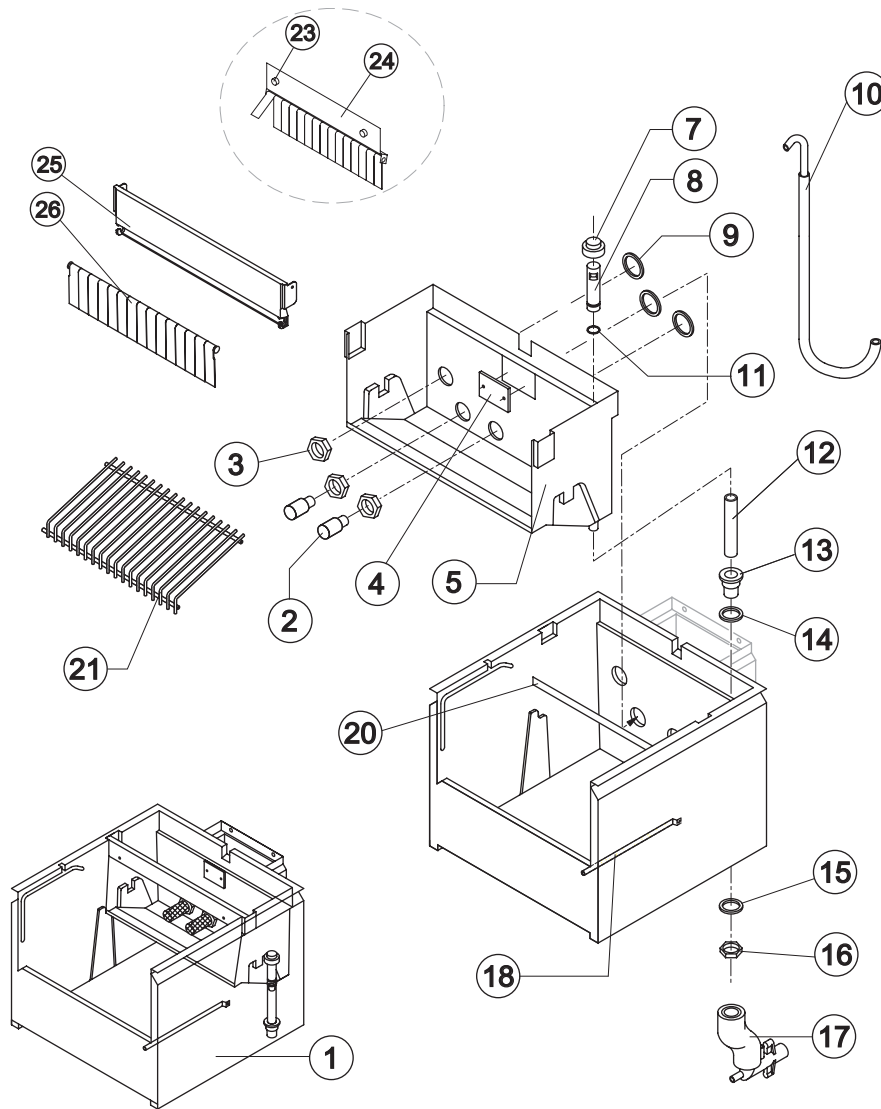
### Ref. 3 - Compressor

Tension	Code
220/240V 50 Hz	N23437
220/230V 60 Hz	N23495A
110/115V 60 Hz	N23678

### Ref. 12\* - Hot Gas Valve Coil

Tension	Code
220/240V 50 Hz	N23091
220/230V 60 Hz	N23091
110/115V 60 Hz	N23256

Rev. 8 - 17/06/2011



### Common Parts

Ref.	Spare Description	Code
1	Complete Basin Assembly	NC28209
2*	Pump Suction Filter	N20005
3	Nut for Basin Connections	N10159
4	Slide Keep Plate	N10009
5	Inner Basin	NE10162
7*	Overflow Cap	N10305
8*	Overflow Pipe	N10133
9	Silicone Seal for Pump Basin	N13069
10*	Water Supply Pipe to the Evaporator	NC13130
11*	OR Gasket for Overflow Pipe	N20233
12*	Overflow Pipe	N13108
13	Water Outlet Nipple	N10472
14	Silicone Gasket	N13006
15	Semirigid Polyethylene Gasket	N13007
16	Bin Discharge Nut	N10096
18	Bulbe-holder Pipe	N20522
21	Ice Cubes Slide	See Table -
23	Special Screw Inox	Till s/n. 380641 N20009
24	Panel with Flags	Till s/n. 380641 NC22035
25	Flags ABS Support	Current Version N10526
26	Rod with Flags	Current Version NC10534

### Parts for Air-Cooled Version Only

Ref.	Spare Description	Code
17	Discharges Manifold	NC10366

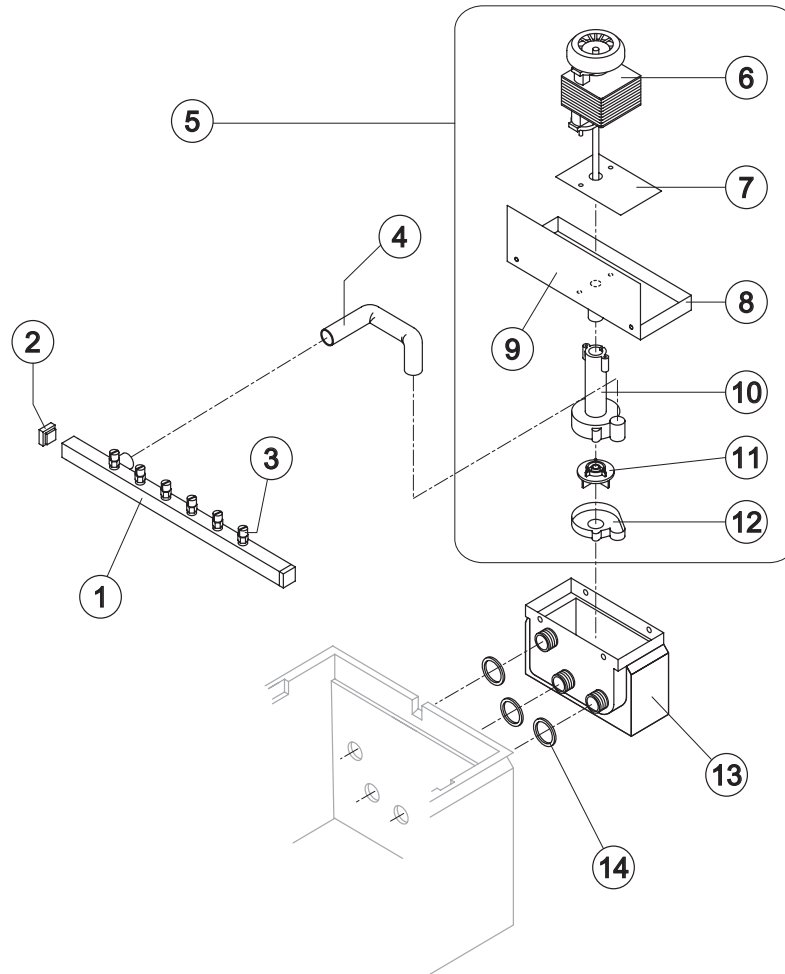
### Parts for Water-Cooled Version Only

Ref.	Spare Description	Code
17	Discharges Manifold	NC10367

### Ref. 21 - Ice Cubes Slide

Kind of Cube	Code
17 g. (Standard)	ND12008
32 g.	ND12030
14 g.	ND12038
41 g.	ND12030

Rev. 8 - 17/06/2011



Ref.	Spare Description	Code
1*	Sprayers Bar Assembly	See Table
2	Sprayers Bar Plug	N10012
3	Sprayer	ND20002
4	Pump Delivery Pipe	N13068
5*	Pump Assembly	See Table
6	Pump Motor	See Table
7	Heat Dissipator	N22430
8	Pump Motor Holder	N10161
9	Basin/Pump Fender Case	N22763
10	Pump Body	N10065
11	Pump Impeller	N10066
12	Diffusor	N10067
13	Insulated Pump Basin	NC11048
14	Silicone Seal for Pump Basin	N13069

### Ref. 1\* - Sprayers Bar Assembly

Kind of Cube	Code
17 g. (Standard)	NC20573
32 g.	NC20582
14 g.	NC20571
41 g.	NC20582

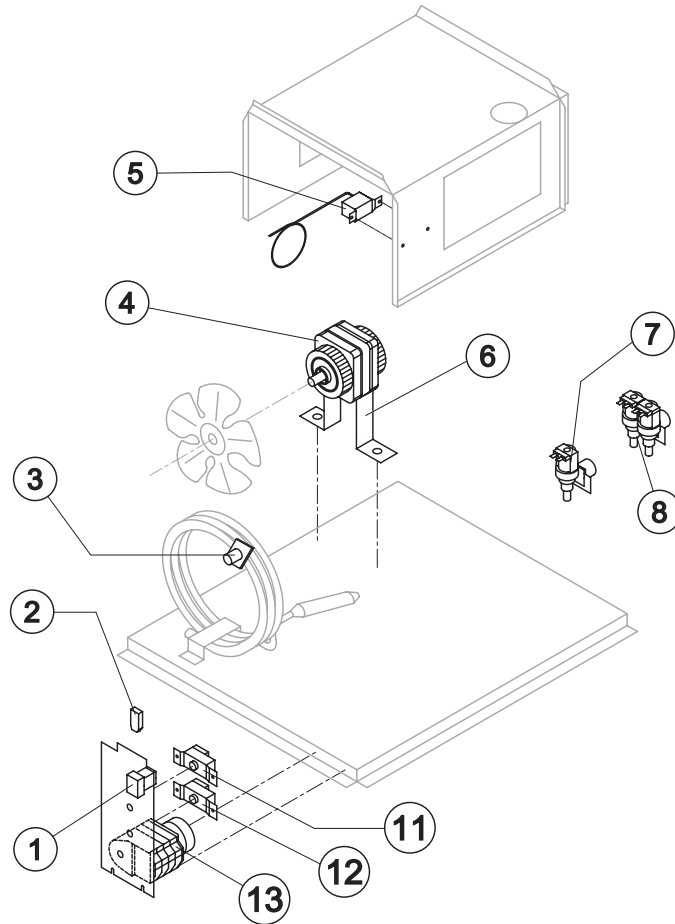
### Ref. 5\* - Pump Assembly

Tension	Code
220/240V 50 Hz	NC23254
220/230V 60 Hz	NC23416
110/115V 60 Hz	NC23417

### Ref. 6 - Pump Motor

Tension	Code
220/240V 50 Hz	N23073
220/230V 60 Hz	N23187
110/115V 60 Hz	N23188

Rev. 8 - 17/06/2011



### Common Parts

Ref.	Spare Description	Code
1*	Green Light Switch (On-Off)	N23327
2	Anti Radio Interference Filter	Only 220V 50 Hz NC23458
4*	Fan Motor	See Table -
5*	Condenser Pressure Switch	N23175
11*	Bin Thermostat	NR23005
12*	Evaporator Thermostat	NR23591
13*	Timer	See Table -

### Parts for Air-Cooled Version Only

Ref.	Spare Description	Code
6	Stirrup h.52	N23219
7*	1 Way- Water Inlet Valve	See Table -

### Parts for Water-Cooled Version Only

Ref.	Spare Description	Code
3*	Safety Thermostat	NC23114
6	Stirrup h.72	N23124
8*	2 Ways- Water Inlet Valve	See Table -

### Ref. 4\* - Fan Motor

Tension	Air	Water
220/240V 50 Hz	N23067	N23029
220/230V 60 Hz	N23067	N23029
110/115V 60 Hz	N23683	N23683

### Ref. 7\* - 1 Way- Water Inlet Valve

Tension	Code
220/240V 50 Hz	N23001
220/230V 60 Hz	N23001
110/115V 60 Hz	N23260

### Ref. 8\* - 2 Ways- Water Inlet Valve

Tension	Code
220/240V 50 Hz	N23010
220/230V 60 Hz	N23010
110/115V 60 Hz	N23261

### Ref. 13\* - Timer

Tension	17 g Cube	32 g Cube	14 g Cube	41 g Cube
220/240V 50 Hz	N23222	N23248	N23247	N23780
220/230V 60 Hz	N23248	N23780	N23247	N23780
110/115V 60 Hz	N23259	N23786	N23258	N23786