

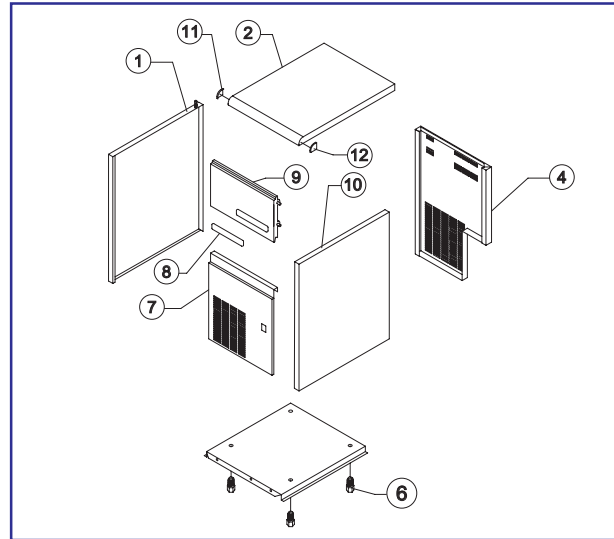
SL 50

LIST OF THE EXPLODED VIEWS

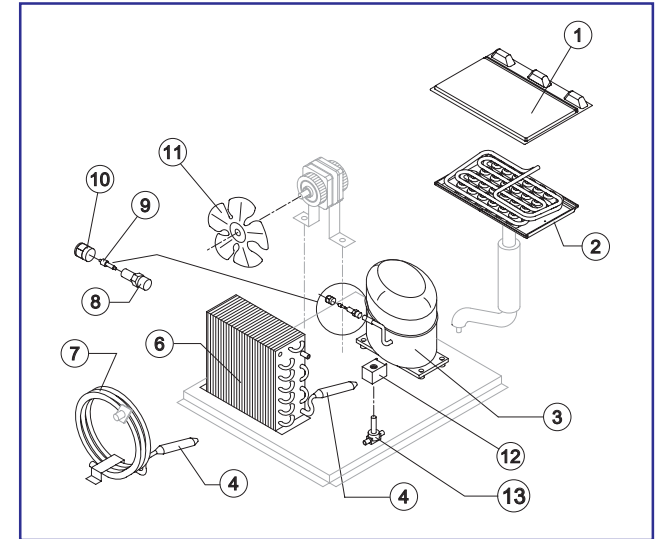
Rev. 7 - 11/05/2011



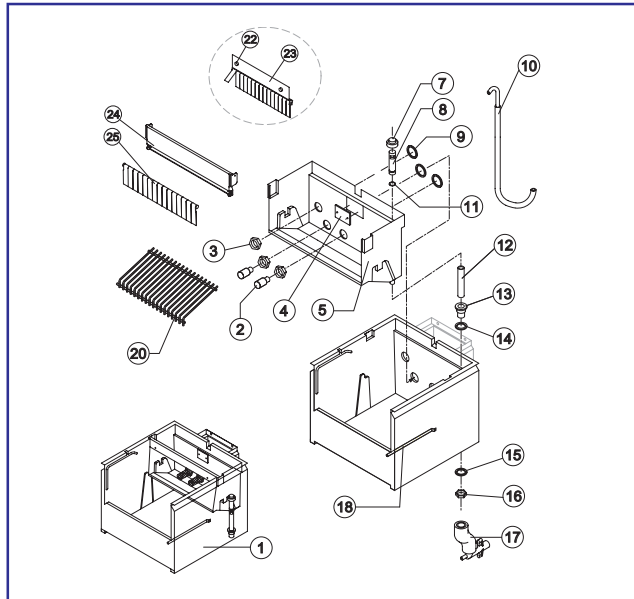
SHELL ASSY



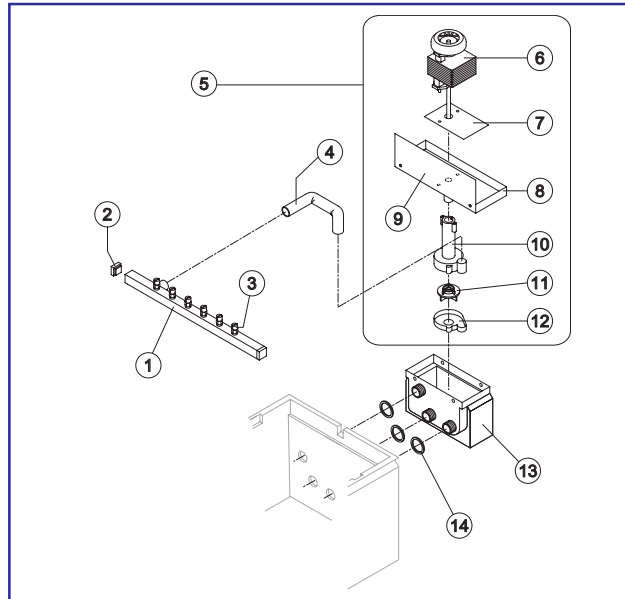
COOLING SYSTEM



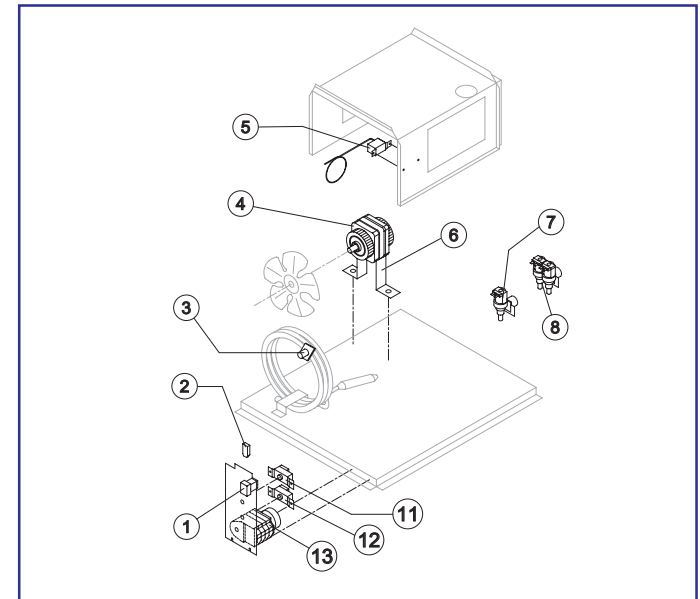
HYDRAULIC CIRCUIT



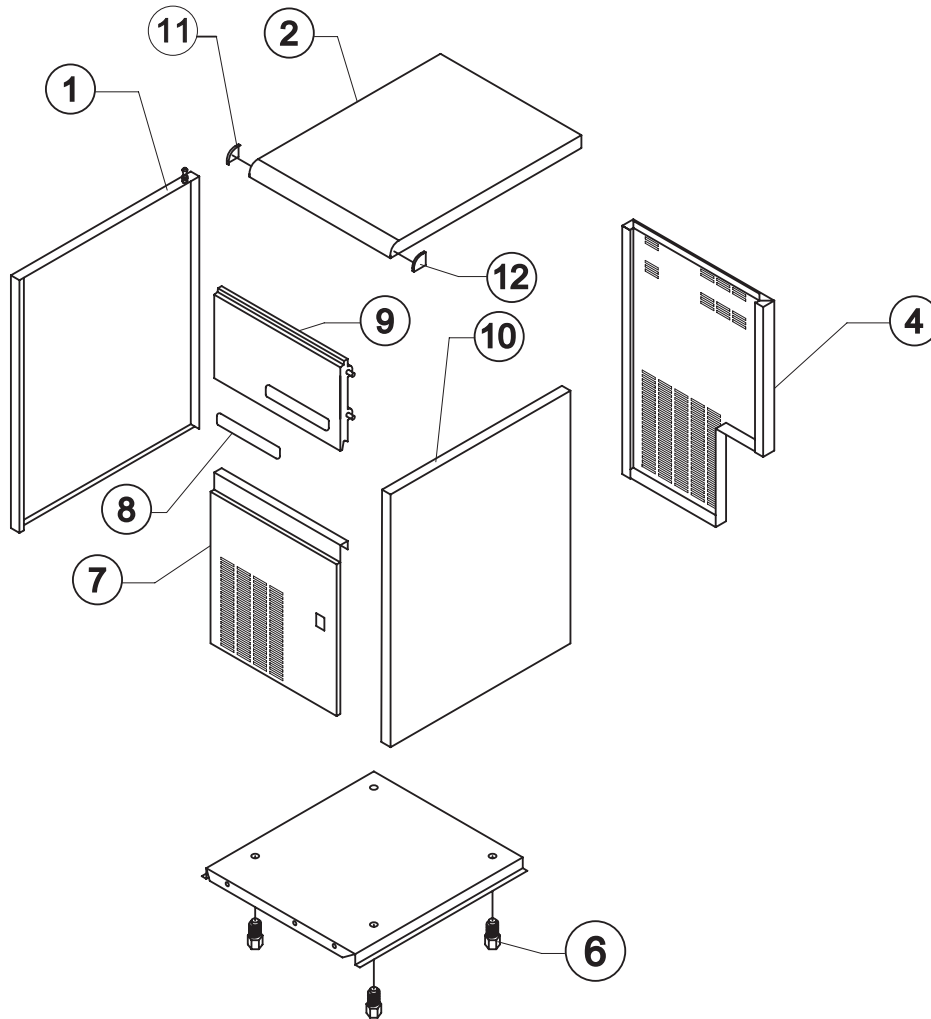
SPRAYER PUMP



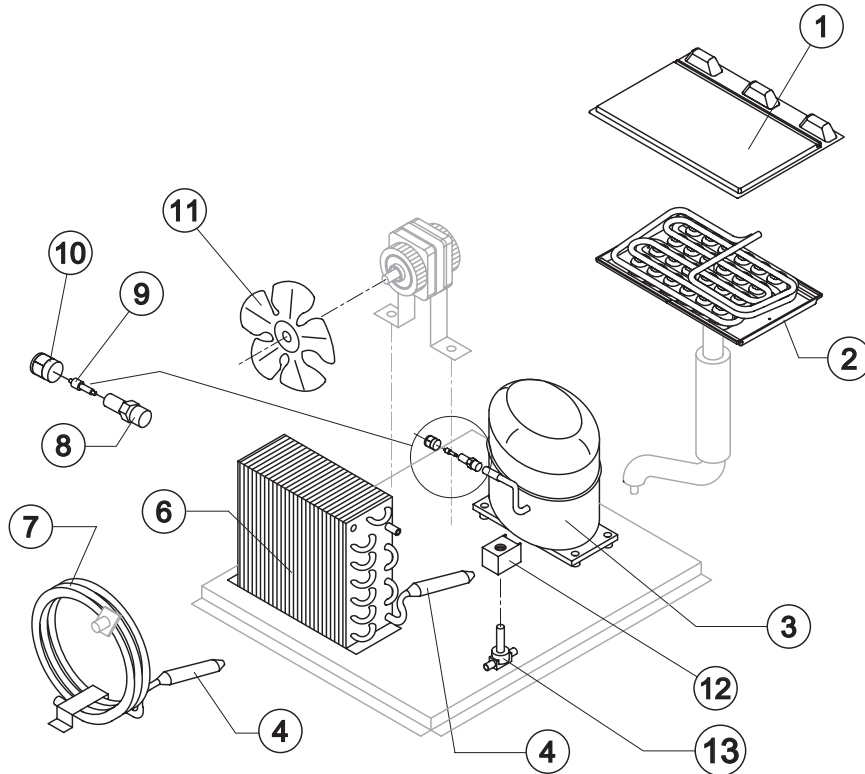
ELECTRIC PARTS



Rev. 7 - 11/05/2011



Ref.	Spare Description	Code
1	Left Side Panel Assembly	NC22751
2	Top Assembly	NC22769GR
4	Grey Rear Side Panel	N21251
6	Foot	N10017
7	Front Panel	N22716
8	Resinate Logo	N24468
9	Door Assembly	NC10358
10	Right Side Panel Assembly	NC22750
11	Left Top Protection	N10323GR
12	Right Top Protection	N10324GR



Common Parts

Ref.	Spare Description		Code
1	Evaporator Cover Panel	Current Version	N10512
1	Evaporator Cover Panel	Till s/n. 355678	N10008
2	Evaporator Assy	See Table	-
3	Compressor	See Table	-
4*	Molecular Drier		N14009
8	Vacuum-Charge Valve Body		N14007
9*	Vacuum-Charge Valve Device		N14005
10*	Vacuum-Charge Valve Plug		N14006
11	Suction Fan	See Table	-
12*	Hot Gas Valve Coil	See Table	-
13*	Hot Gas Valve Body		N20410

Parts for Air-Cooled Version Only

Ref.	Spare Description	Code
6	Air Condenser	N20534

Parts for Water-Cooled Version Only

Ref.	Spare Description	Code
7	Water Condenser	N14057

Ref. 2 - Evaporator

Kind of Cube	Code
17 g. (Standard)	ND10045
32 g.	ND10320
14 g.	ND10416

Ref. 3 - Compressor

Tension	Code
220/240V 50 Hz	N23886
220/230V 60 Hz	N23494
110/115V 60 Hz	N23446

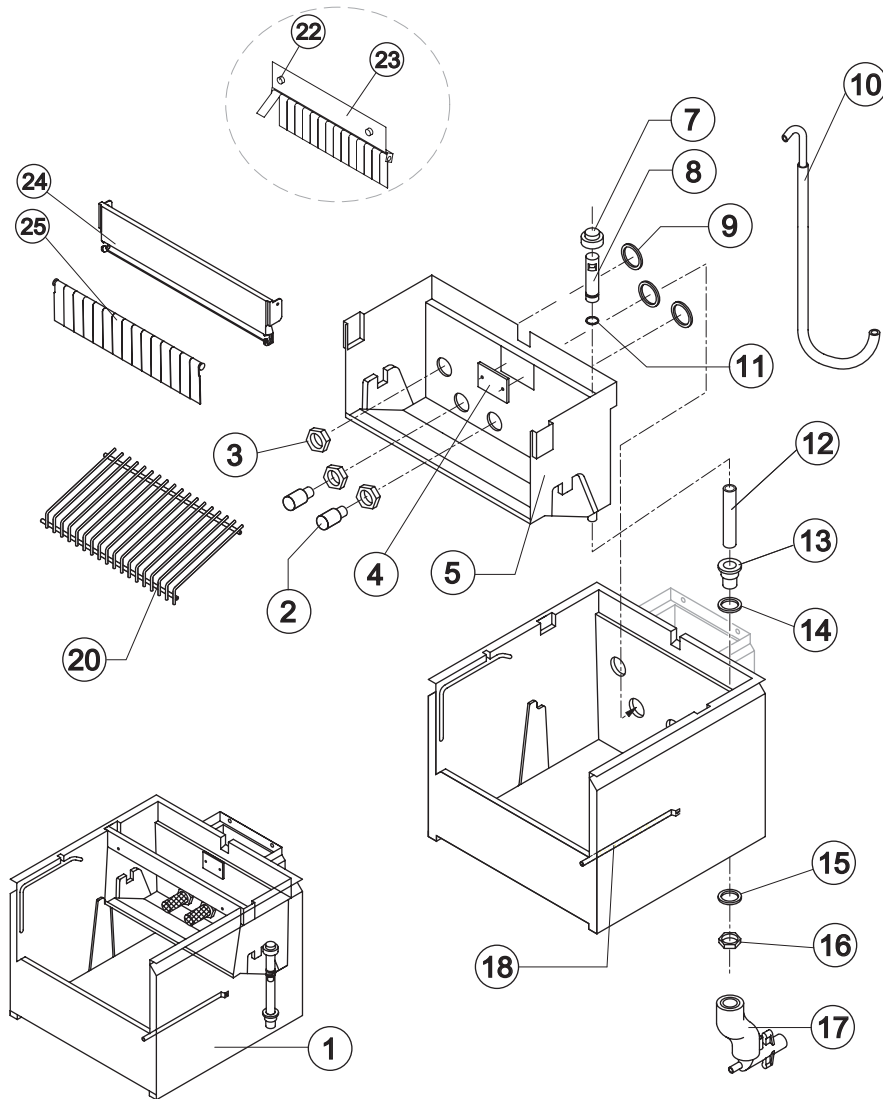
Ref. 11 - Suction Fan

Tension	Air	Water
220/240V 50 Hz	N20096	N10213
220/230V 60 Hz	N20095	N10213
110/115V 60 Hz	N20095	N10213

Ref. 12* - Hot Gas Valve Coil

Tension	Code
220/240V 50 Hz	N23091
220/230V 60 Hz	N23091
110/115V 60 Hz	N23256

Rev. 7 - 11/05/2011



Common Parts

Ref.	Spare Description	Code
1	Complete Basin Assembly	NC28204
2*	Pump Suction Filter	N20005
3	Nut for Basin Connections	N10159
4	Slide Keep Plate	N10009
5	Inner Basin	NE10158
7*	Overflow Cap	N10305
8*	Overflow Pipe	N10133
9	Silicone Seal for Pump Basin	N13069
10*	Water Supply Pipe to the Evaporator	NC13127
11*	OR Gasket for Overflow Pipe	N20233
12*	Overflow Pipe	N13105
13	Water Outlet Nipple	N10472
14	Silicone Gasket	N13006
15	Semirigid Polyethylene Gasket	N13007
16	Bin Discharge Nut	N10096
18	Bulbe-holder Pipe	N20520
20	Ice Cubes Slide	See Table
22	Special Screw Inox	Till s/n. 379018
23	Panel with Flags	Till s/n. 379018
24	Flags ABS Support	Current Version
25	Rod with Flags	Current Version

Parts for Air-Cooled Version Only

Ref.	Spare Description	Code
17	Discharges Manifold	NC10366

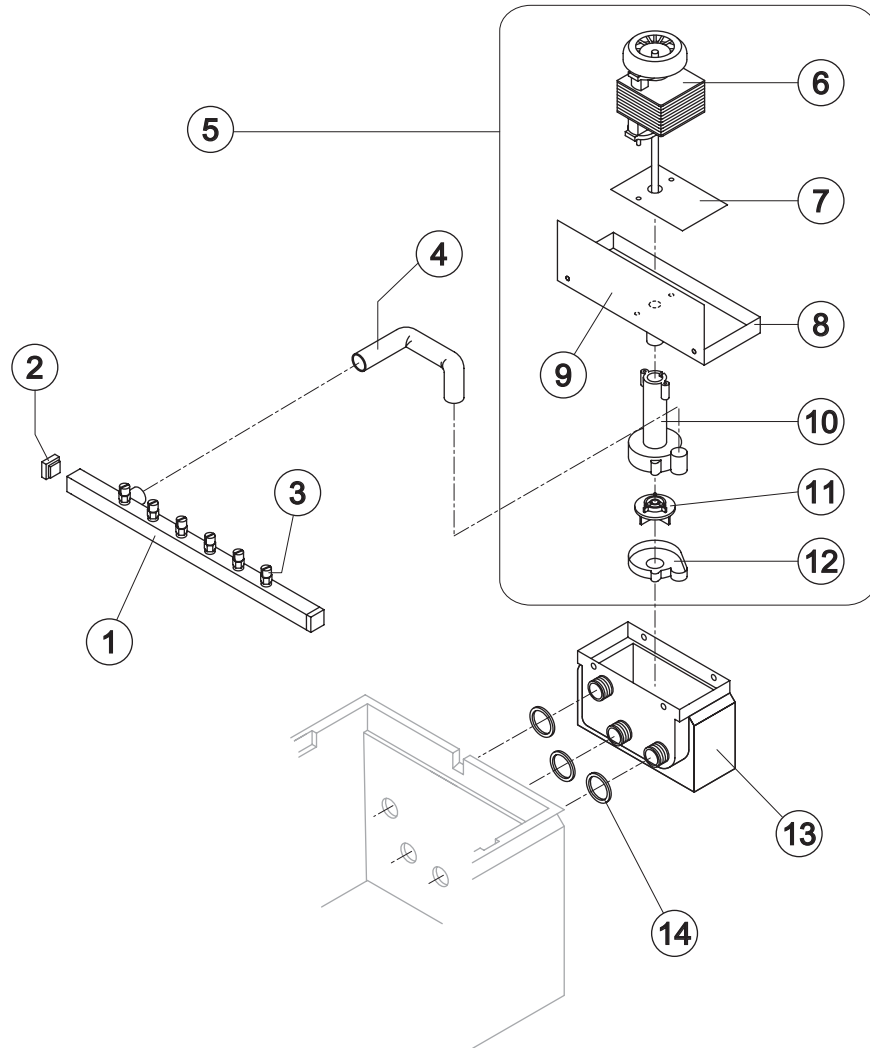
Parts for Water-Cooled Version Only

Ref.	Spare Description	Code
17	Discharges Manifold	NC10367

Ref. 20 - Ice Cubes Slide

Kind of Cube	Code
17 g. (Standard)	ND12001
32 g.	ND12066
14 g.	ND12046

Rev. 7 - 11/05/2011



Ref.	Spare Description	Code
1*	Sprayers Bar Assembly	See Table
2	Sprayers Bar Plug	N10012
3	Sprayer	ND20002
4	Pump Delivery Pipe	N13068
5*	Pump Assembly	See Table
6	Pump Motor	See Table
7	Heat Dissipator	N22430
8	Pump Motor Holder	N10161
9	Basin/Pump Fender Case	N22763
10	Pump Body	N10065
11	Pump Impeller	N10066
12	Diffusor	N10067
13	Insulated Pump Basin	NC11048
14	Silicone Seal for Pump Basin	N13069

Ref. 1* - Sprayers Bar Assembly

Kind of Cube	Code
17 g. (Standard)	NC20572
32 g.	NC20581
14 g.	NC20570

Ref. 5* - Pump Assembly

Tension	Code
220/240V 50 Hz	NC23254
220/230V 60 Hz	NC23416
110/115V 60 Hz	NC23417

Ref. 6 - Pump Motor

Tension	Code
220/240V 50 Hz	N23073
220/230V 60 Hz	N23187
110/115V 60 Hz	N23188

Common Parts

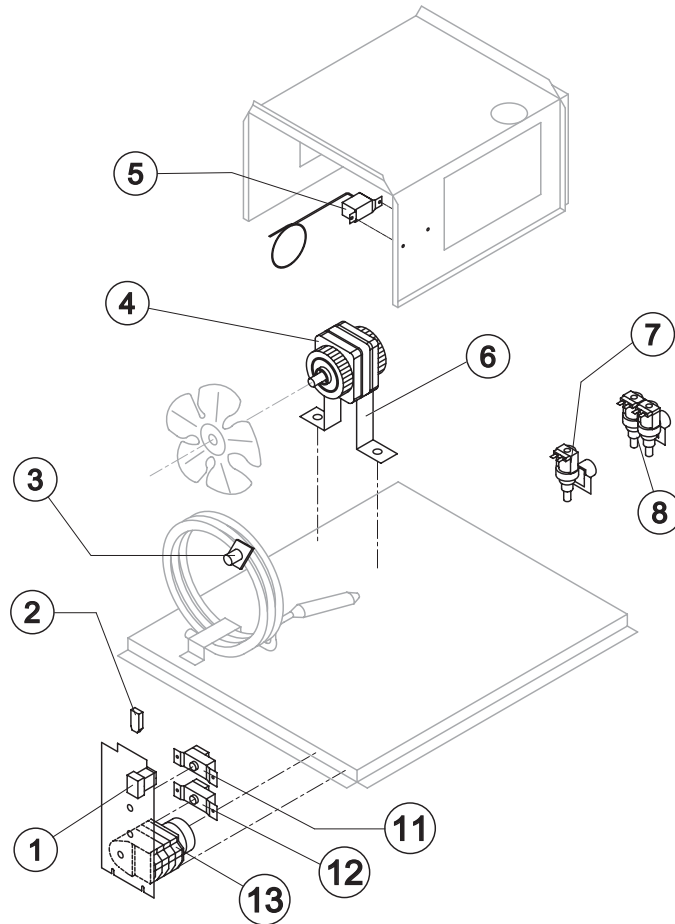
Ref.	Spare Description	Code
1*	Green Light Switch (On-Off)	N23327
4*	Fan Motor	See Table
11*	Bin Thermostat	NR23005
12*	Evaporator Thermostat	NR23591
13*	Timer	See Table

Parts for Air-Cooled Version Only

Ref.	Spare Description	Code
6	Stirrup h.52	N23219
7*	1 Way- Water Inlet Valve	See Table

Parts for Water-Cooled Version Only

Ref.	Spare Description	Code
2	Anti Radio Interference Filter	Only 220V 50 Hz
3*	Safety Thermostat	NC23114
5*	Condenser Pressure Switch	N23175
6	Stirrup h.72	N23124
8*	2 Ways- Water Inlet Valve	See Table



Ref. 4* - Fan Motor

Tension	Code
220/240V 50 Hz	N23029
220/230V 60 Hz	N23029
110/115V 60 Hz	N23683

Ref. 7* - 1 Way- Water Inlet Valve

Tension	Code
220/240V 50 Hz	N23497
220/230V 60 Hz	N23497
110/115V 60 Hz	N23499

Ref. 8* - 2 Ways-Water Inlet

Tension	Code
220/240V 50 Hz	N23542
220/230V 60 Hz	N23542
110/115V 60 Hz	N23592

Ref. 13* - Timer

Tension	17g Cube	32g Cube	14g Cube
220/240V 50 Hz	N23222	N23248	N23247
220/230V 60 Hz	N23248	N23780	N23247
110/115V 60 Hz	N23259	N23786	N23258