

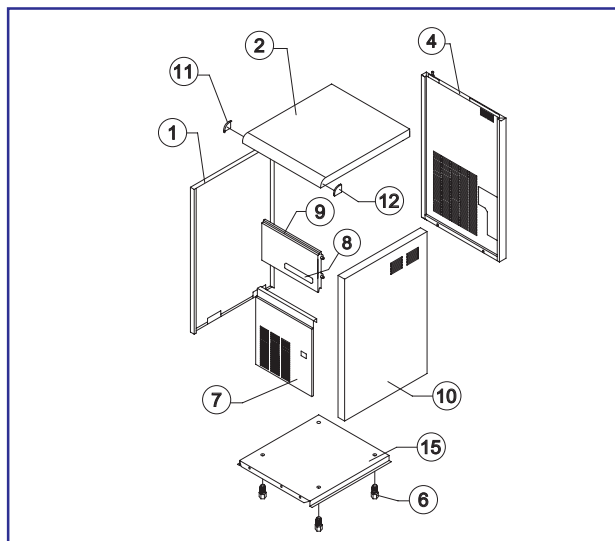
SL 35

LIST OF THE EXPLODED VIEWS

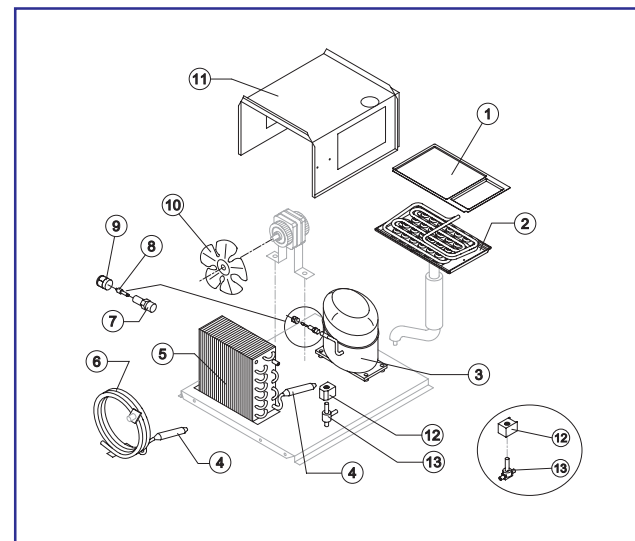
Rev. 10 - 11/05/2011



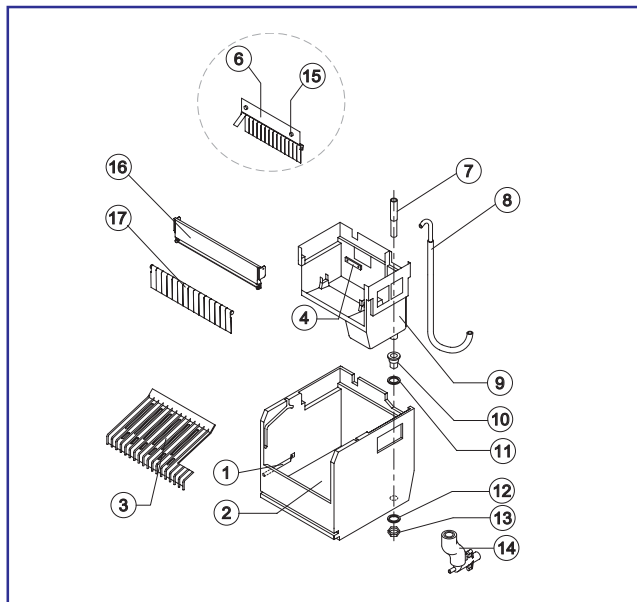
SHELL ASSY



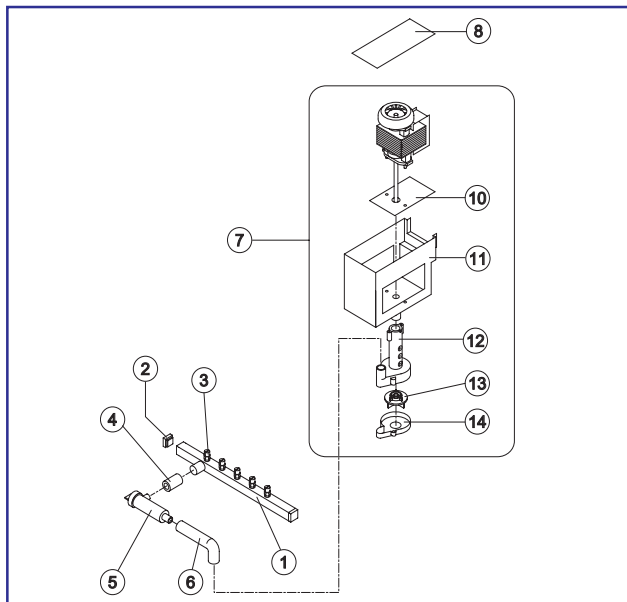
COOLING SYSTEM



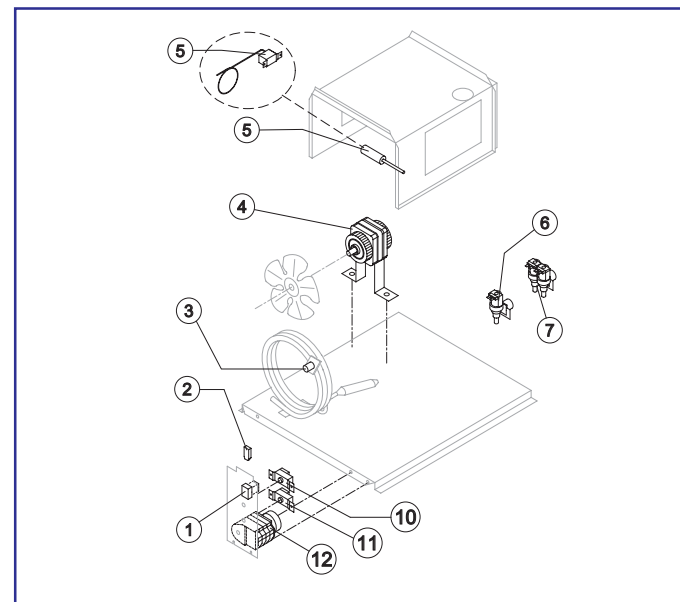
HYDRAULIC CIRCUIT



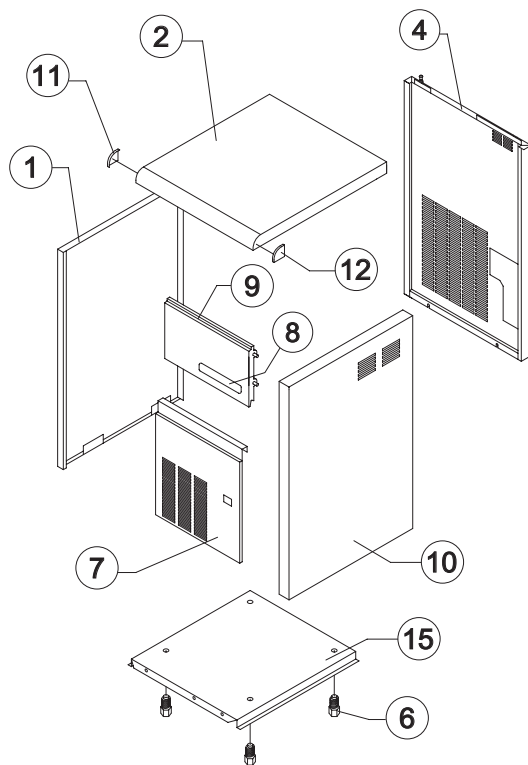
SPRAYER PUMP



ELECTRIC PARTS

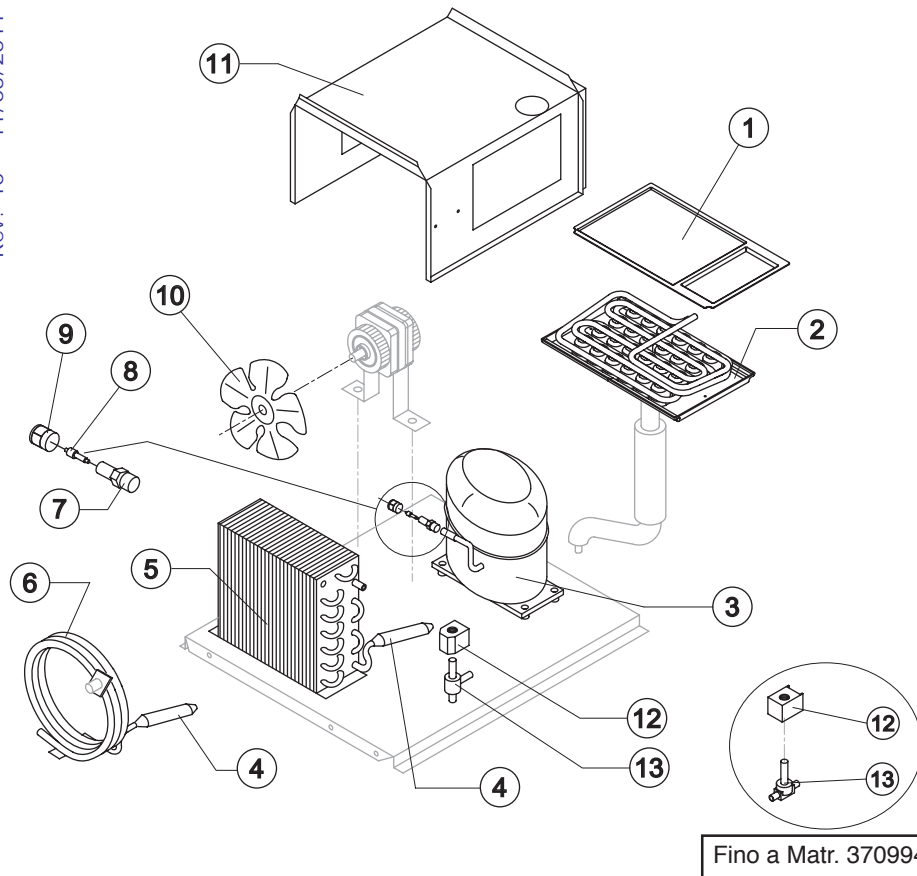


Rev. 10 - 11/05/2011



| Ref. | Spare Description | Code | |
|------|---------------------------|------------------|---------|
| 1 | Left Side Panel Assembly | N22713 | |
| 2 | Top Assembly | NC22834GR | |
| 4 | Grey Rear Panel | N21290 | |
| 6 | Foot | N10017 | |
| 7 | Front Panel | Current Version | N221070 |
| 7 | Front Panel | Till s/n. 385216 | N22700 |
| 10 | Right Side Panel Assembly | N22712 | |
| 8 | Resinate Logo | N24468 | |
| 9 | Door | N10378 | |
| 11 | Left Top Protection | N10323GR | |
| 12 | Right Top Protection | N10324GR | |
| 15 | Base Plate | N21062 | |

Rev. 10 - 11/05/2011



Common Parts

| Ref. | Spare Description | | Code |
|------|----------------------------|------------------|---------|
| 1 | Evaporator Cover Panel | Current Version | N10498 |
| 1 | Evaporator Cover Panel | Till s/n. 230066 | N10076 |
| 2 | Evaporator Assy | | ND10079 |
| 3 | Compressor | See Table | - |
| 4* | Molecular Drier | | N14009 |
| 7 | Vacuum-Charge Valve Body | | N14007 |
| 8* | Vacuum-Charge Valve Device | | N14005 |
| 9* | Vacuum-Charge Valve Plug | | N14006 |
| 11 | Bin Support Frame | | N22095 |
| 12* | Hot Gas Valve Coil | See Table | - |
| 13* | Hot Gas Valve Body | Current Version | N20853 |
| 13 | Hot Gas Valve Body | Till s/n. 370994 | N20410 |

Parts for Air-Cooled Version Only

| Ref. | Spare Description | Code |
|------|-------------------|--------|
| 5 | Air Condenser | N20094 |
| 10 | Sucking Fan | N20095 |

Parts for Water-Cooled Version Only

| Ref. | Spare Description | Code |
|------|-------------------|-------------------------|
| 6 | Water Condenser | Current Version N14593 |
| 6 | Water Condenser | Till s/n. 370994 N14348 |
| 10 | Sucking Fan | Till s/n. 370994 N10213 |

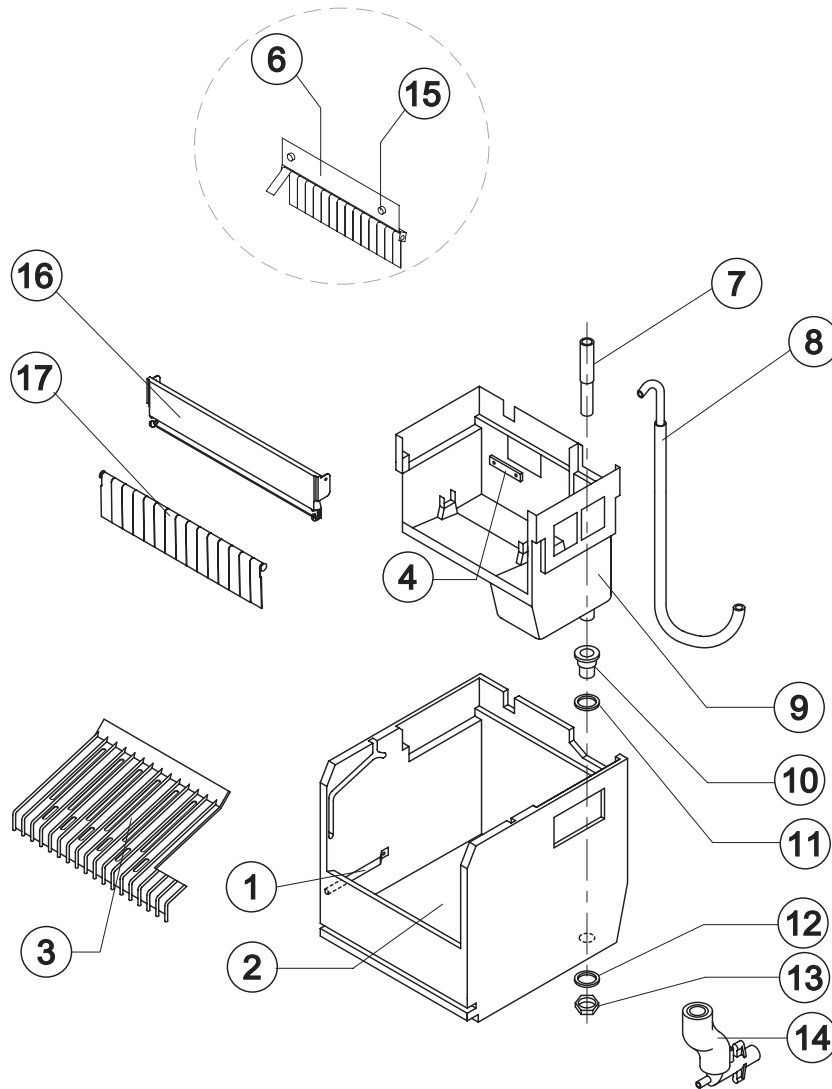
Ref. 3 - Compressor

| Tension | Code | |
|----------------|-----------------|------------------|
| | Current Version | Till s/n. 416883 |
| 220/240V 50 Hz | N23886 | N23436 |
| 220/230V 60 Hz | N23494 | N23494 |
| 110/115V 60 Hz | N23446 | N23446 |

Ref. 12* - Hot Gas Valve Coil

| Tension | Code | |
|----------------|------------------|-----------------|
| | Till s/n. 370994 | Current Version |
| 220/240V 50 Hz | N23091 | N23854 |
| 220/230V 60 Hz | N23091 | N23854 |
| 110/115V 60 Hz | N23256 | N23855 |

Rev. 10 - 11/05/2011



Common Parts

| Ref. | Spare Description | Code |
|------|-------------------------------|-----------------------------|
| 1 | Bulbe- holder pipe | N20520 |
| 2 | Foamed Bin | NR11016/E |
| 3 | Ice Cubes Slide | N10136 |
| 4 | Slide Keep Plate | N10142 |
| 6 | Panel with Flags | Till s/n. 380376 NC22106 |
| 7* | Overflow Pipe | N13028 |
| 8* | Evaporator Feeding Pipe Assy | NC13126 |
| 9 | Inner Basin | N10064 |
| 10 | Water Outlet Nipple | N10472 |
| 11 | Silicone Gasket | N13006 |
| 12 | Semirigid Polyethylene Gasket | N13007 |
| 13 | Bin Discharge Nut | N10096 |
| 15 | Fixing Screw | Till s/n. 380376 N20009 |
| 16 | Flags ABS Support | Current Version N10530 |
| 17 | Flags with Rod | Current Version NC10532 |

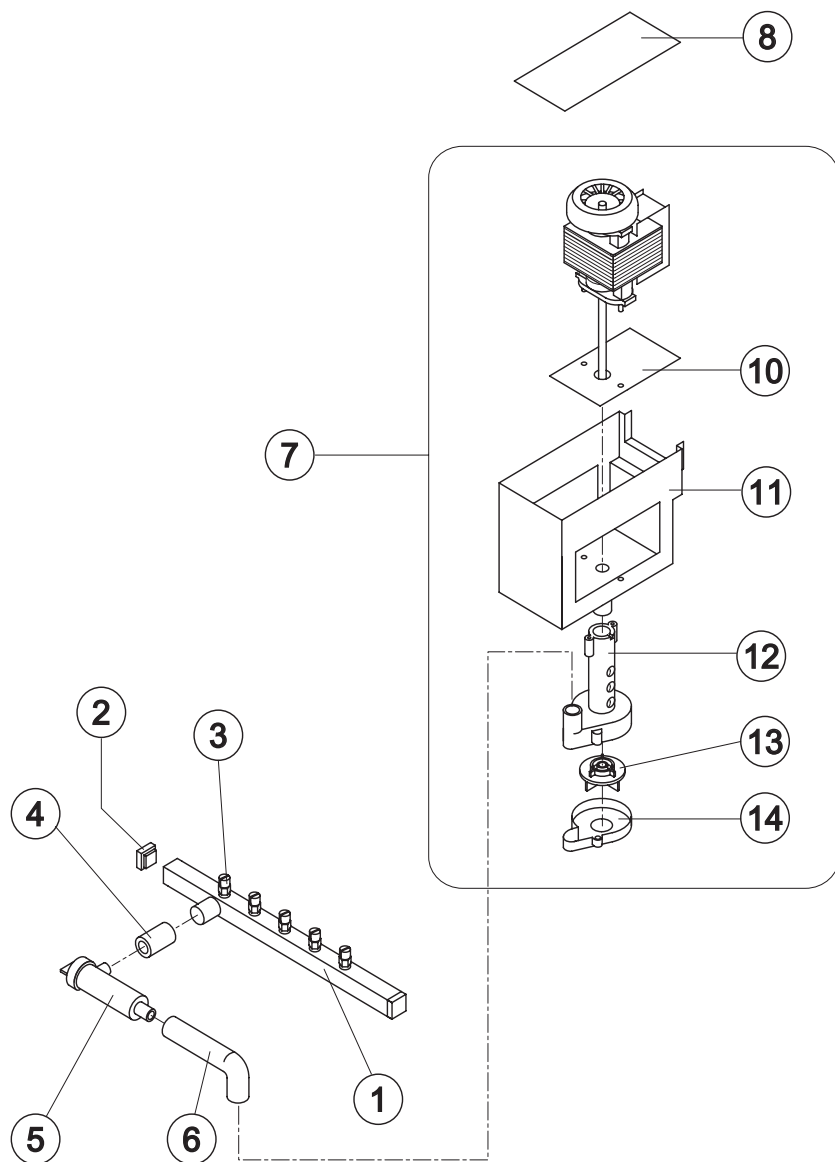
Parts for Air-Cooled Version Only

| Ref. | Spare Description | Code |
|------|---------------------|---------|
| 14 | Discharges Manifold | NC10006 |

Parts for Water-Cooled Version Only

| Ref. | Spare Description | Code |
|------|---------------------|---------|
| 14 | Discharges Manifold | NC26452 |

Rev. 10 - 11/05/2011

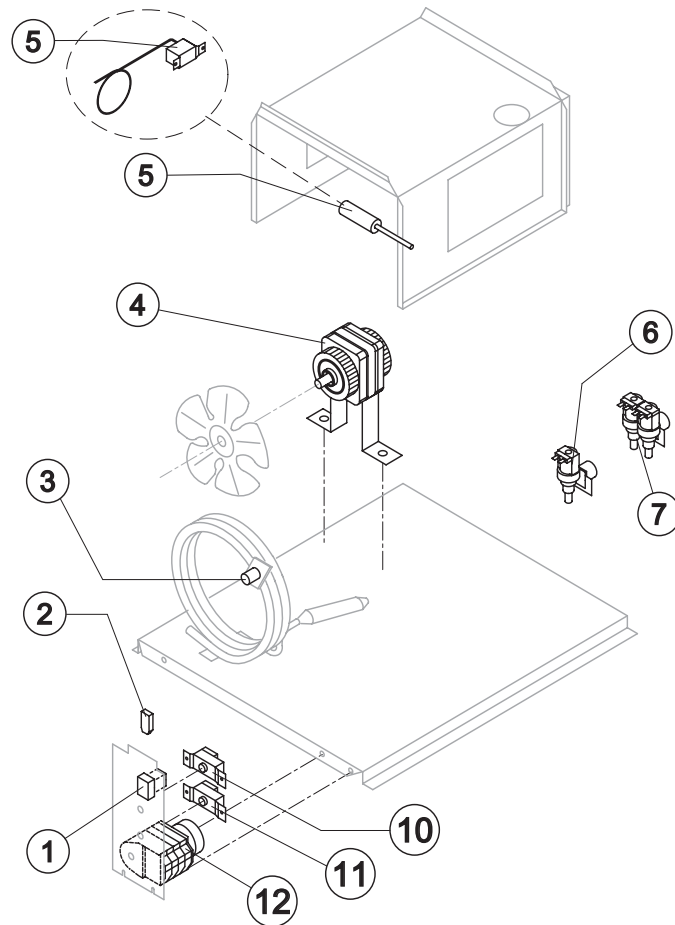


| Ref. | Spare Description | Code |
|------|-------------------------------------|----------------------------|
| 1* | Sprayers Bar Assembly | NC20147 |
| 2 | Sprayers Bar Plug | N10012 |
| 3 | Sprayer | ND20002 |
| 4 | Filter-Sprayers Bar Connection Pipe | N13056 |
| 5* | Pump Filter | N10139 |
| 6 | Pump-Filter Connection Pipe | N13055 |
| 7* | Pump Assy | See Table |
| 8 | Pump Cover | Till s/n. 230066 N22096 |
| 10 | Heat Dissipator | N22430 |
| 11 | Pump Motor Container | N10073 |
| 12 | Pump Body | N10065 |
| 13 | Pump Impeller | N10066 |
| 14 | Diffusor | N10067 |

Ref. 7* - Pump Assy

| Tension | Code | Code |
|----------------|-----------------|------------------|
| | Current Version | Till s/n. 416883 |
| 220/240V 50 Hz | NC23858 | NC23076 |
| 220/230V 60 Hz | NC23892 | NC23270 |
| 110/115V 60 Hz | NC23893 | NC23271 |

Rev. 10 - 11/05/2011



Common Parts

| Ref. | Spare Description | Code |
|------|-----------------------------|------------------|
| 1* | Green Light Switch (On-Off) | Current Version |
| 1 | Green Light Switch (On-Off) | Till s/n. 385216 |
| 10* | Bin Thermostat | NR23005 |
| 11* | Evaporator Thermostat | NR23591 |
| 12* | Timer | See Table |

Parts for Air-Cooled Version Only

| Ref. | Spare Description | Code |
|------|--------------------------|-----------|
| 4* | Fan Motor | See Table |
| 6* | 1 Way- Water Inlet Valve | See Table |

Parts for Water-Cooled Version Only

| Ref. | Spare Description | Code |
|------|--------------------------------|------------------|
| 2 | Anti Radio Interference Filter | Only 220V 50 Hz |
| 3* | Safety Thermostat | NC23114 |
| 4 | Fan Motor | Till s/n. 370994 |
| 5* | Condenser Pressure Switch | Current Version |
| 5 | Condenser Pressure Switch | Till s/n. 447841 |
| 7* | 2 Ways- Water Inlet Valve | See Table |

Ref. 4* - Fan Motor

| Tension | Code |
|----------------|--------|
| 220/240V 50 Hz | N23029 |
| 220/230V 60 Hz | N23029 |
| 110/115V 60 Hz | N23683 |

Ref. 6* - 1 Way- Water Inlet Valve

| Tension | Code |
|----------------|--------|
| 220/240V 50 Hz | N23497 |
| 220/230V 60 Hz | N23497 |
| 110/115V 60 Hz | N23499 |

Ref. 7* - 2 Ways- Water Inlet Valve

| Tension | Code |
|----------------|--------|
| 220/240V 50 Hz | N23498 |
| 220/230V 60 Hz | N23498 |
| 110/115V 60 Hz | N23500 |

Ref. 12* - Timer

| Tension | Code |
|----------------|--------|
| 220/240V 50 Hz | N23247 |
| 220/230V 60 Hz | N23247 |
| 110/115V 60 Hz | N23258 |