

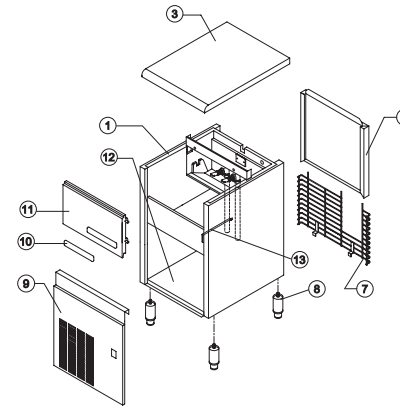
SL 350

LIST OF THE EXPLODED VIEWS

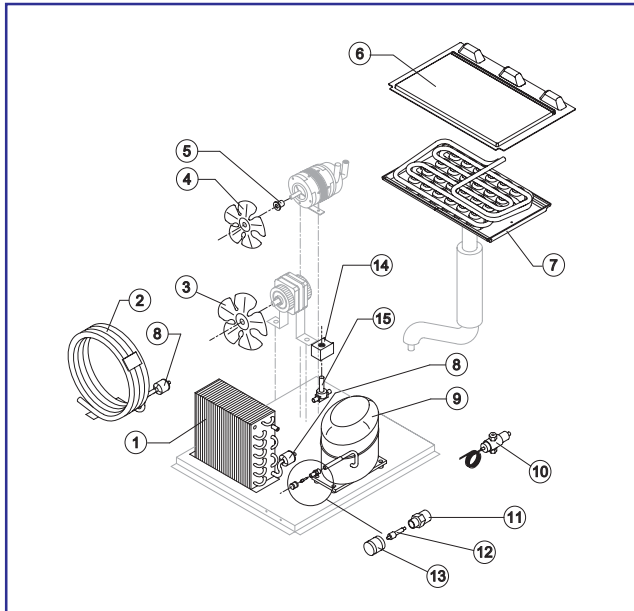
Rev. 8 - 20/06/2011



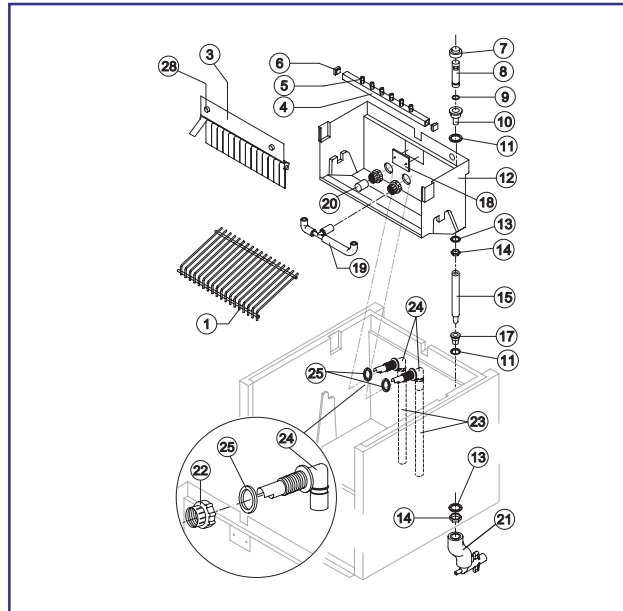
SHELL ASSY



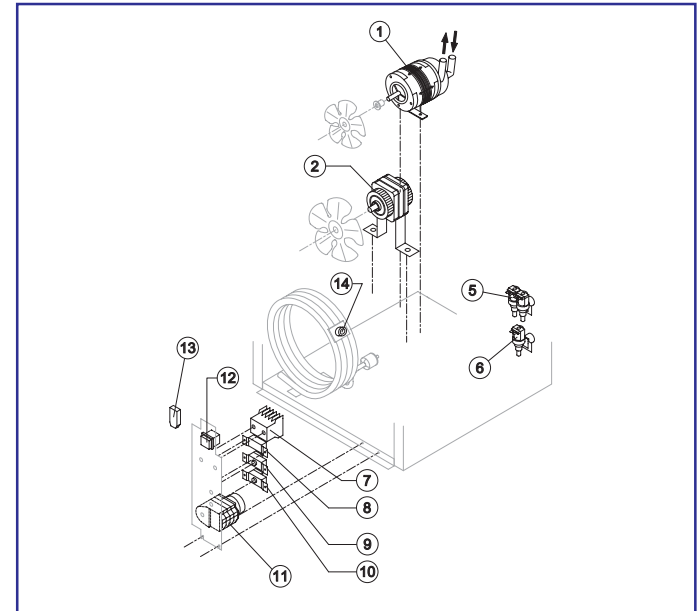
COOLING SYSTEM



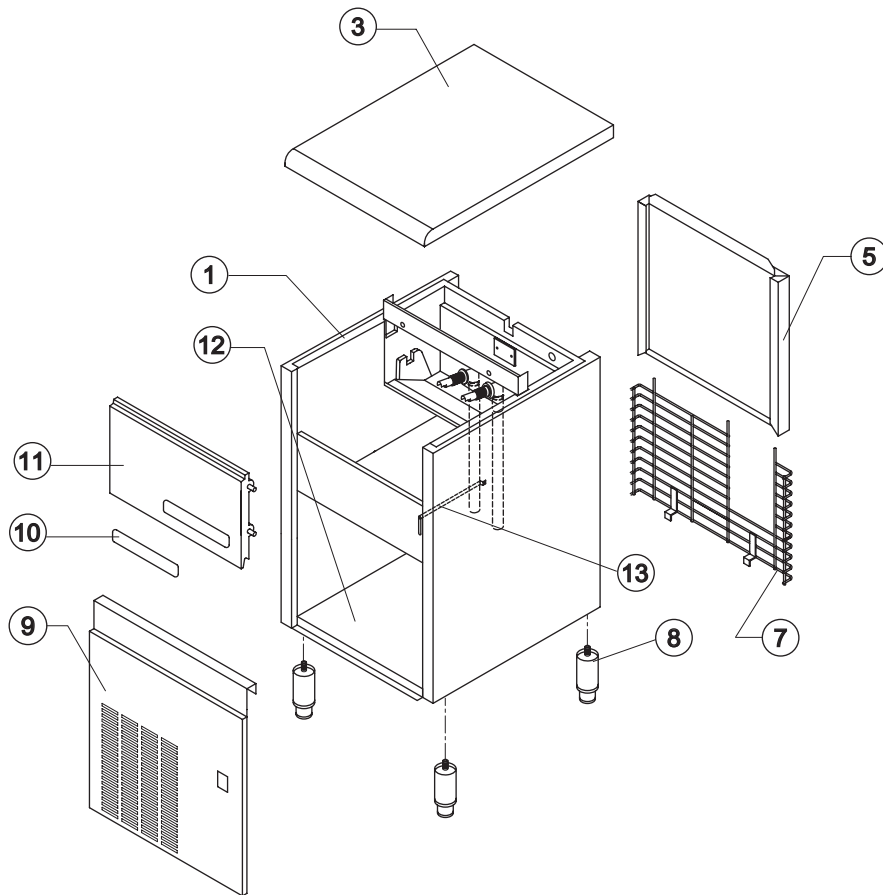
HYDRAULIC CIRCUIT



ELECTRIC PARTS



Rev. 8 - 20/06/2011

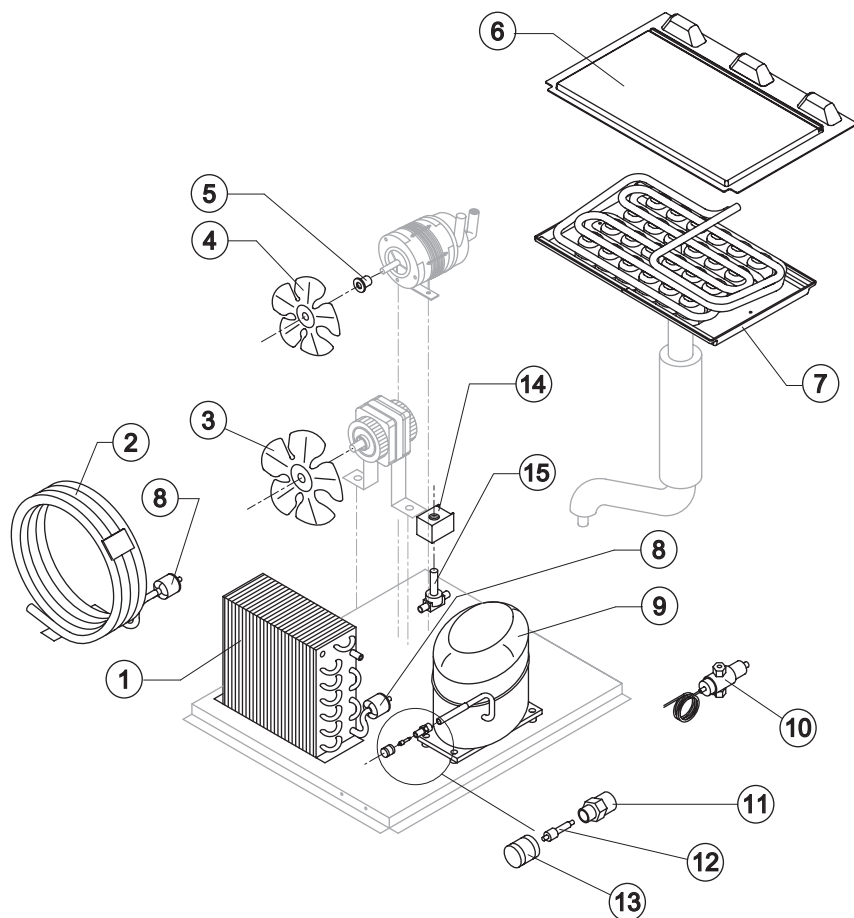


Ref.	Spare Description	Code
1	Foamed Cabinet Assy	See Table
3	Top Assembly	NC22688
5	Rear Panel Assembly	NC21209
7	Rear Grid	ND12021
8	Adjustable Stainless Steel Foot	N20613
9	Front Grid Panel	N22710
10	Resinate Logo	N24468
11	Door Assembly	NC10362
12	Base Plate	N21281
13	Bulbe-holder Pipe	N20521

Ref. 1 - Foamed Cabinet Assy

Condensation	Code
Aria	NC11086A
Acqua	NC11086W

Rev. 8 - 20/06/2011



Common Parts

Ref.	Spare Description	Code
4	Sucking Fan	N10213
5	Hub for the Fan Fixing	N10014
6	Evaporator Cover Panel	Current Version N10450
6	Evaporator Cover Panel	Till s/n. 224687 N10058
7	Evaporator	See Table -
8*	Solid Core Drier	N14084
9	Compressor	See Table -
11	Vacuum-Charge Valve Body	N14007
12*	Vacuum-Charge Valve Device	N14005
13*	Vacuum-Charge Valve Plug	N14006
14*	Hot Gas Valve Coil	N23091
15*	Hot Gas Valve Body	N20409

Parts for Air-Cooled Version Only

Ref.	Spare Description	Code
1	Air Condenser	Current Version N20924
1	Air Condenser	Till s/n. 438911 N20426
3	Sucking Fan	N20407

Parts for Water-Cooled Version Only

Ref.	Spare Description	Code
2	Water Condenser	N14081
3	Sucking Fan	Till s/n. 219844 N10213
10	Pressostatic Valve	N20210

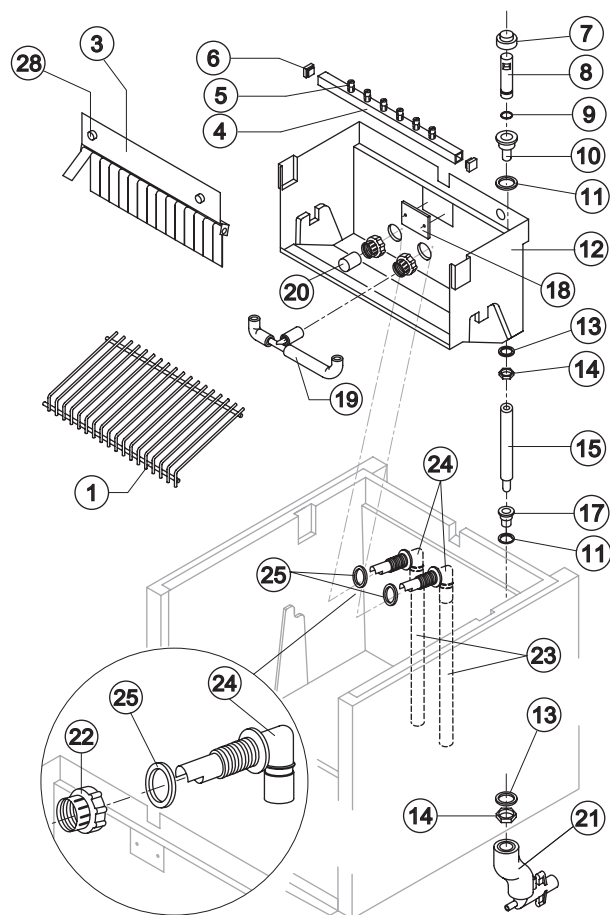
Ref. 7 - Evaporator

Kind of Cube	Code
17 g. (Standard)	ND10214
32 g.	ND10092
14 g.	ND10126
41 g.	ND10477
60 g.	ND10555

Ref. 9 - Compressor

Voltage	Code
220/240V 50 Hz	N23878
220/230V 60 Hz	N23874

Rev. 8 - 20/06/2011



Common Parts

Ref.	Spare Description	Code
1	Ice Cube Slides	See Table
3	Flags Support Assy	NC22134
4*	Sprayers Bar Assembly	See Table
5	Sprayer	ND20002
6	Sprayers Bar Plug	N10012
7*	Overflow Cap	N10305
8*	Overflow Pipe	N10133
9*	OR Gasket for Overflow Pipe	N20233
10	Overflow Pipe Nipple	N10471
11	Silicone Gasket	N13006
12	Inner Basin	N10055
13	Semirigid Polyethylene Gasket	N13007
14	Bin Discharge Nut	N10096
15*	Overflow Pipe Assembly	N13155
17	Water Outlet Nipple	N10472
18	Slide Keep Plate	Till s/n. 233769 N10009
19*	Sprayers Bar Pipe Connection Assy	NC13036
20*	Pump Suction Filter	N20005
22	Fitting Locking Ring	N10405
23	Pump Suction/Delivery Pipe	N13142
24	Fitting of the Pump Suction/Delivery Pipes	N10404
25	Gasket for Suction Line/Pump Delivery	N13143
28	Fixing Screw	N20009

Ref. 1 - Ice Cube Slide

Kind of Cube	Code
17 g. (Standard)	ND12022
32 g.	ND12033
14 g.	ND12040
41 g.	ND12033
60 g.	ND12084

Ref. 4* - Sprayers Bar Ass.

Kind of Cube	Code
17 g. (Standard)	NC20144
32 g.	NC20157
14 g.	NC20200
41 g.	NC20157
60 g.	NC20941

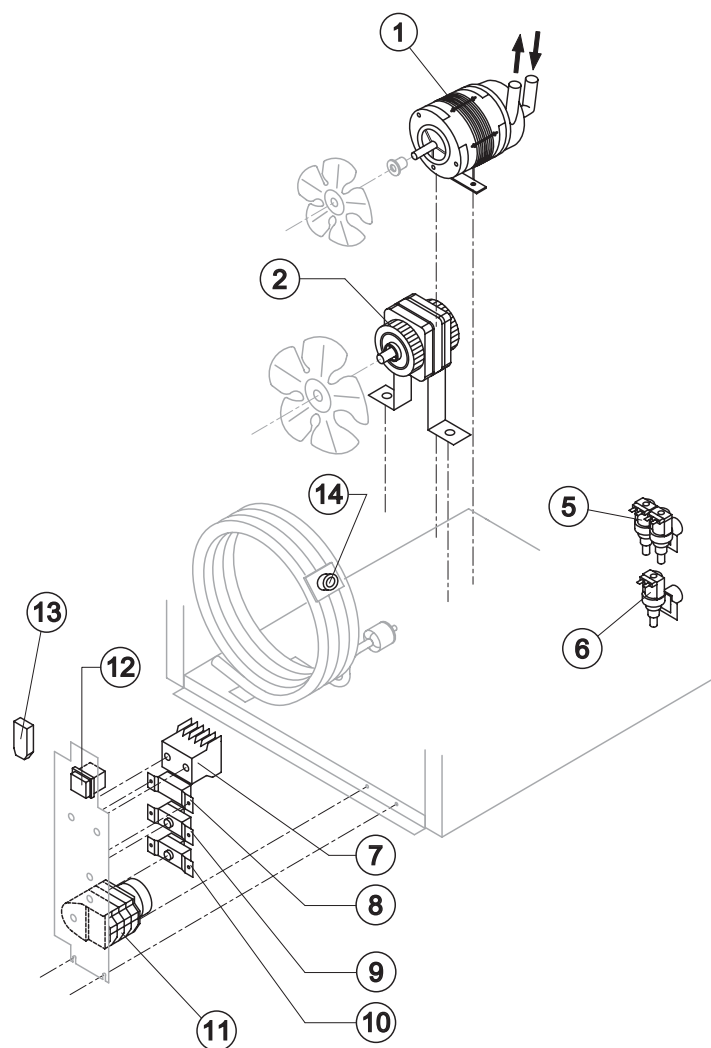
Parts for Air Cooled Version Only

Ref.	Spare Description	Code
21	Discharges Manifold	NC10006

Parts for Water Cooled Version Only

Ref.	Spare Description	Code
21	Discharges Manifold	NC26452

Rev. 8 - 20/06/2011



Common Parts

Ref.	Spare Description	Code
1*	Pump Assy	NC23462
7*	Contactor	N23594
9*	Bin Thermostat	NR23005
10*	Evaporator Thermostat	NR23591
11*	Timer	See Table -
12*	Green Light Switch (On-Off)	N23327
15	Safety Pressure Switch (H.P.)	From s/n. 527061 N23976

Parts for Air-Cooled Version Only

Ref.	Spare Description	Code
2*	Fan Motor	N23121
6*	1 Way- Water Inlet Valve	See Table -
8*	Condenser Pressure Switch	N23175
13	Anti Radio Interference Filter	Only 220V 50 Hz NC23459

Parts for Water-Cooled Version Only

Ref.	Spare Description	Code
2	Fan Motor	Till s/n. 219844 N23029
5*	2 Ways- Water Inlet Valve	See Table -
14*	Safety Thermostat	NC23114

Ref. 5* - 2 Ways- Water Inlet Valve

Voltage	17g/14g cube	32g/41g/60g cube
220/240V 50 Hz	N23138	N23138
220/230V 60 Hz	N23138	N23138

Ref. 6* - 1 Way- Water Inlet Valve

Voltage	17g/14g cube	32g cube	41g/60g cube
220/240V 50 Hz	N23220	N23220	N23787
220/230V 60 Hz	N23220	N23787	N23787

Ref. 11* - Timer

Voltage	18g cube	33g cube	13g cube	42g cube	60g cube
T11	23247	23248	23472	23780	23922
T12	23222	23780	23247	23780	TBD