

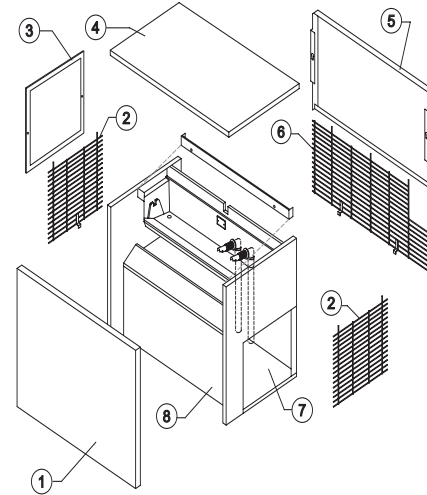


CM 350

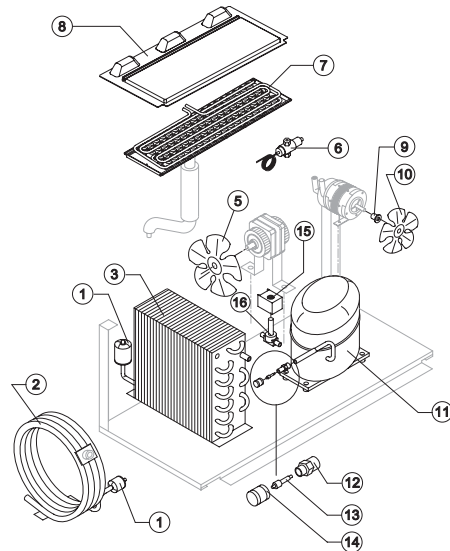
LIST OF THE EXPLODED VIEWS



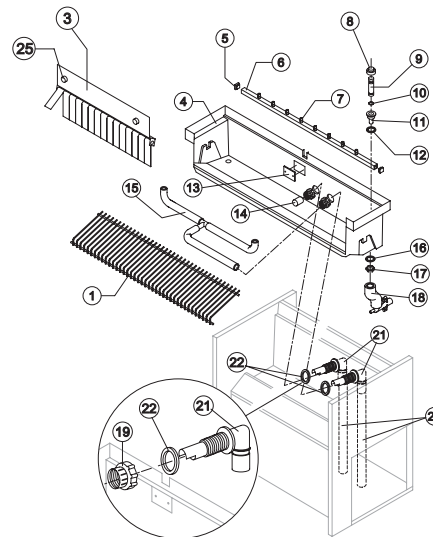
SHELL ASSY



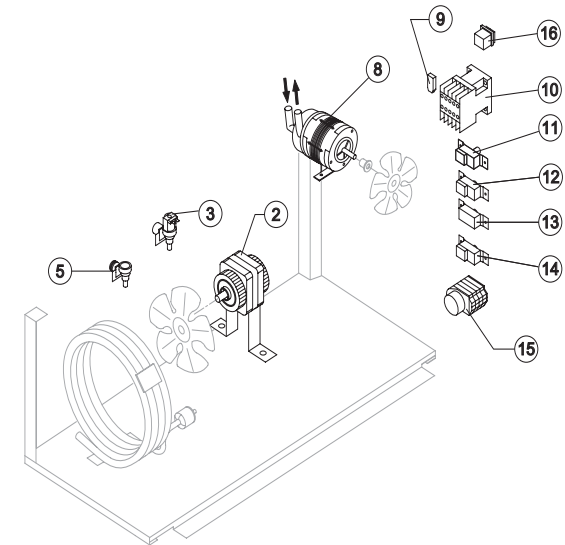
COOLING SYSTEM



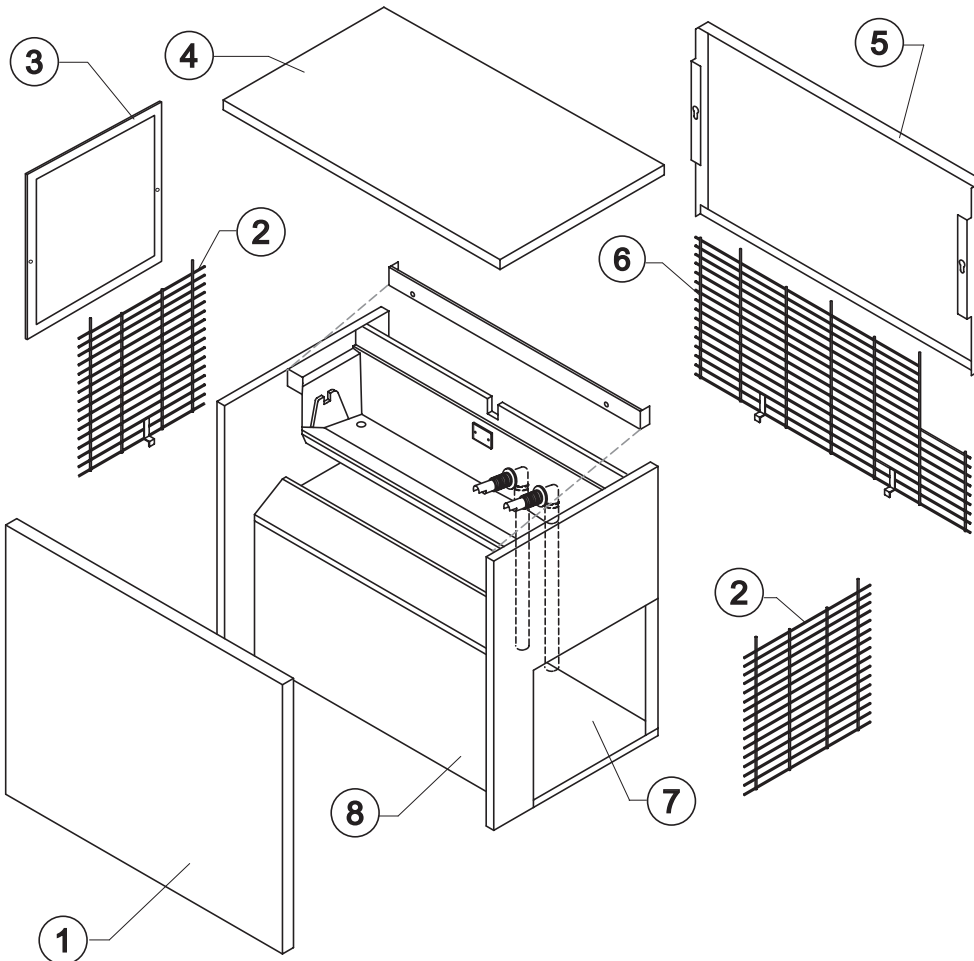
HYDRAULIC CIRCUIT



ELECTRIC PARTS



Rev. 9 - 21/06/2011



Ref.	Spare Description	Code
1	Front Panel Assembly	NC22125
2	Lateral Grid	ND12036
3*	Filter	Air Cooled Version N18163
4	Top Assembly	NC22124
5	Rear Panel	N22127
6	Rear Grid	ND12068
7	Base Plate	N21078
8	Foamed Cabinet Assy	See Table -

Ref. 8 - Foamed Cabinet Assy

Condensazione	Codice
Ari	NC11020A
Water	NC11020W



CM 350

COOLING SYSTEM

Common Parts

Ref.	Spare Description	Code
1*	Solid Core Drier	N14084
7	Evaporator	See Table
8	Evaporator Cover Panel	Current Version
8	Evaporator Cover Panel	Till s/n. 226491
9	Hub for the Fan Fixing	N10014
10	Sucking Fan	N10213
11	Compressor	See Table
12	Vacuum-Charge Valve Body	N14007
13*	Vacuum-Charge Valve Device	N14005
14*	Vacuum-Charge Valve Plug	N14006
15*	Hot Gas Valve Coil	See Table
16*	Hot Gas Valve Body	N20409

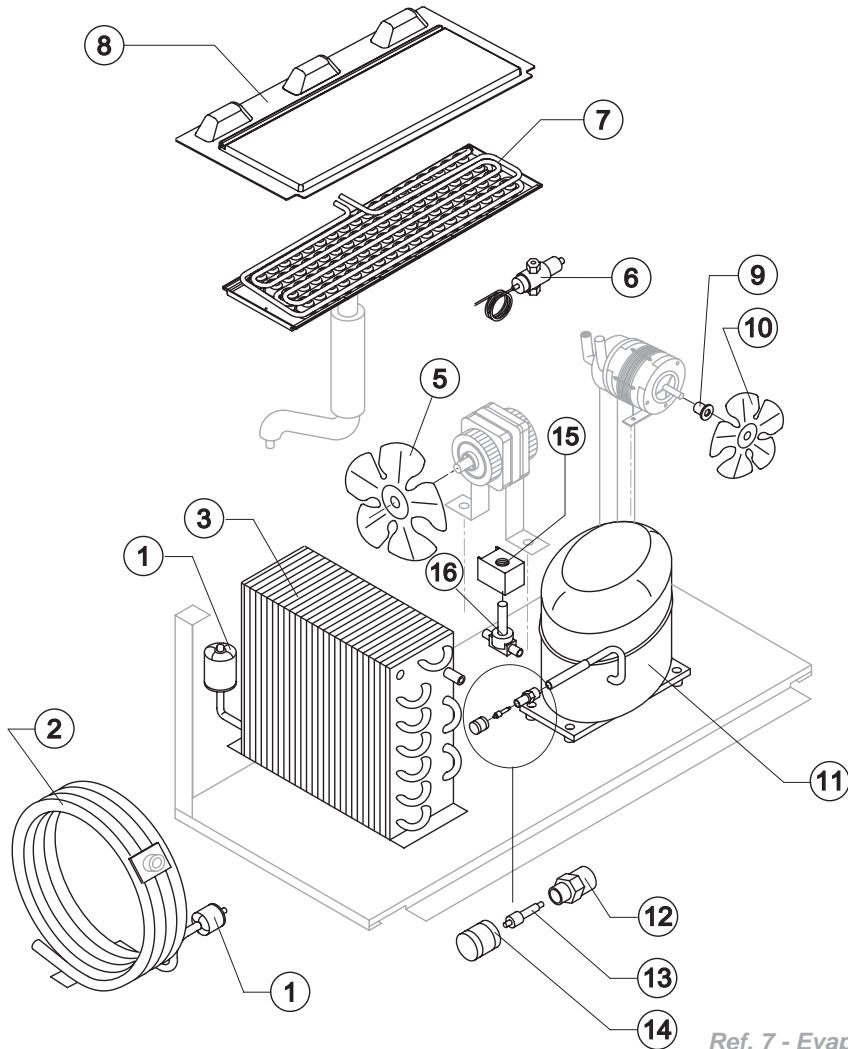
Parts for Air-Cooled Version Only

Ref.	Spare Description	Code
3	Air Condenser	Current Version
3	Air Condenser	Til s/n. 439805
4	Conveyor	Only 110V 60 Hz
5	Sucking Fan	220V 50 Hz, 230V 60 Hz
5	Sucking Fan	110V 60 Hz

Parts for Water-Cooled Version Only

Ref.	Spare Description	Code
2	Water Condenser	N14081
5	Sucking Fan	Till s/n. 219565
6	Pressostatic Valve	N20210

Rev. 9 - 21/06/2011



Ref. 7 - Evaporator

Kind of Cube	Code
17 g. (Standard)	ND10214
32 g.	ND10092
14 g.	ND10126
41 g.	ND10477

Ref. 11 - Compressor

Voltage	Code
220/240V 50 Hz	N23878
220/230V 60 Hz	N23874
110/115V 60 Hz	N23586

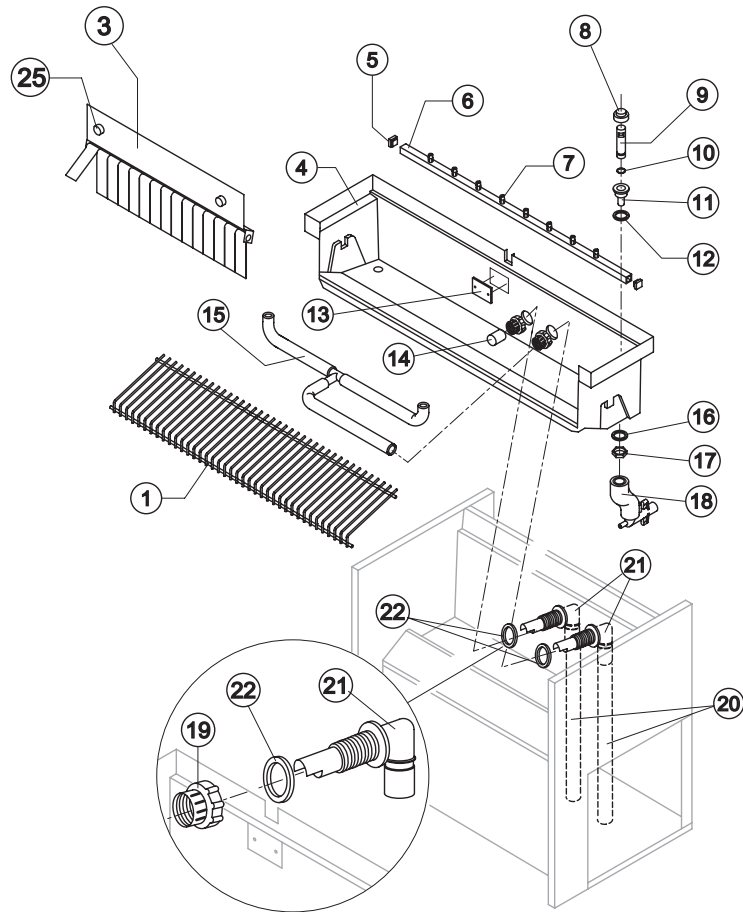
Ref. 15* - Hot Gas Valve Coil

Voltage	Code
220/240V 50 Hz	N23091
220/230V 60 Hz	N23091
110/115V 60 Hz	N23256



CM 350

HYDRAULIC CIRCUIT



Common Parts

Ref.	Spare Description	Code
1	Ice Cubes Slide	See Table
3	Flags Support Assy	NC22134
4	Inner Basin	N10055
5	Sprayers Bar Plug	N10012
6*	Sprayers Bar Assembly	See Table
7	Sprayer	ND20002
8*	Overflow Cap	Till s/n. 243901 N10305
9*	Overflow Pipe	N10133
10*	OR Gasket for Overflow Pipe	N20233
11	Water Outlet Nipple	N10472
12	Silicone Gasket	N13006
13	Slide Keep Plate	Till s/n. 234237 N10009
14*	Pump Suction Filter	N20005
15	Sprayers Feeding Pipe Connection	NC13037
16	Semirigid Polyethylene Gasket	N13007
17	Bin Discharge Nut	N10096
19	Fitting Locking Ring	N10405
20	Pump Suction/Delivery Pipe	N13137
21	Fitting of the Pump Suction/Delivery Pipes	N10404
22	Gasket for Suction Line/Pump Delivery	N13143
25	Fixing Screw	N20009

Ref. 1 - Ice Cube Slide

Kind of Cube	Code
17 g. (Standard)	ND12022
32 g.	ND12033
14 g.	ND12040
41 g.	ND12033

Ref. 6* - Sprayers Bar Ass.

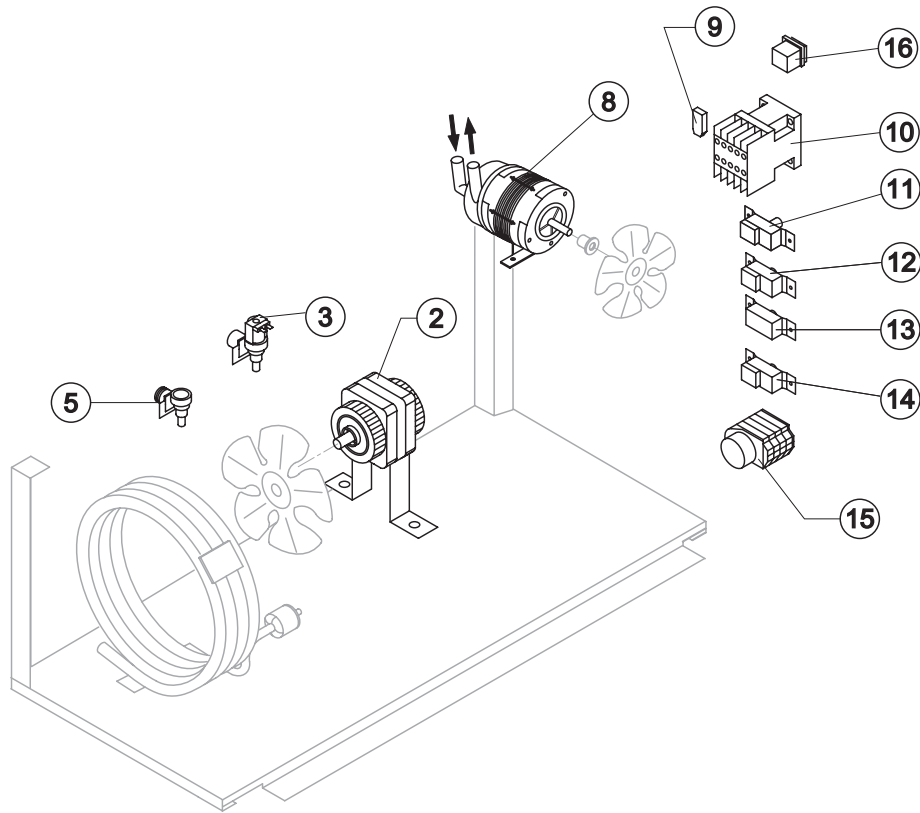
Kind of Cube	Code
17 g. (Standard)	NC20144
32 g.	NC20157
14 g.	NC20200
41 g.	NC20157

Parts for Air Cooled Version Only

Ref.	Spare Description	Code
18	Discharges Manifold	NC10006

Parts for Water Cooled Version Only

Ref.	Spare Description	Code
18	Discharges Manifold	NC26452



Common Parts

Ref.	Spare Description	Code
2*	Fan Motor	See Table -
3*	1 Way- Water Inlet Valve	See Table -
8*	Pump Assy	See Table -
10*	Contactor	See Table -
13*	Bin Thermostat	NR23421
14*	Evaporator Thermostat	NR23591
15*	Timer	See Table -
16*	On/Off Rocker Switch	N23327

Parts for Air-Cooled Version Only

Ref.	Spare Description	Code
9	Anti Radio Interference Filter	Only 220V 50 Hz NC23459
11	Safety Pressure Switch	From s/n. 529518 N23342
12*	Condenser Pressure Switch	N23175

Parts for Water-Cooled Version Only

Ref.	Spare Description	Code
5	1 Way- Water Inlet Nipple	N10368
11	Safety Pressure Switch	N23342

Ref. 8* - Pump Assy

Voltage	Code
220/240V 50 Hz	NC23462
220/230V 60 Hz	NC23462
110/115V 60 Hz	NC23663

Ref. 2* - Fan Motor

Voltage	Air	Water
		Till s/n. 219565
220/240V 50 Hz	N23121	N23029
220/230V 60 Hz	N23121	N23029
110/115V 60 Hz	N23621	N23683

Ref. 3* - Inlet Watervalue 1 Way

Voltage	17g/14g Cube	32g Cube	41g Cube
220/240V 50 Hz	N23220	N23220	N23787
220/230V 60 Hz	N23220	N23787	N23787
110/115V 60 Hz	N23281	N23789	N23789

Ref. 10* - Contactor

Voltage	Code
220/240V 50 Hz	N23594
220/230V 60 Hz	N23594
110/115V 60 Hz	N23932

Ref. 15* - Timer

Voltage	17 g Cube	32 g Cube	14 g Cube	41 g Cube
220/240V 50 Hz	N23247	N23248	N23472	N23780
220/230V 60 Hz	N23222	N23780	N23247	N23780
110/115V 60 Hz	N23258	N23786	N23258	N23786